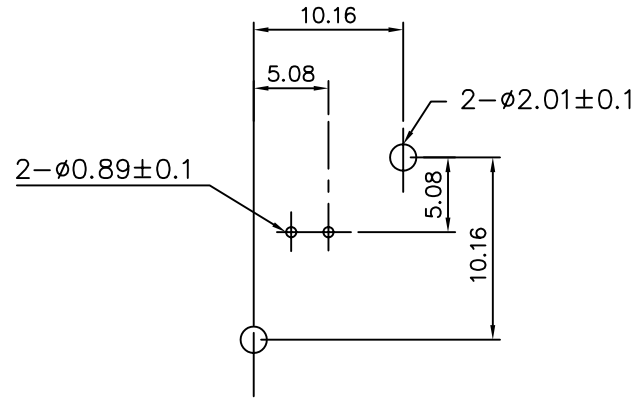


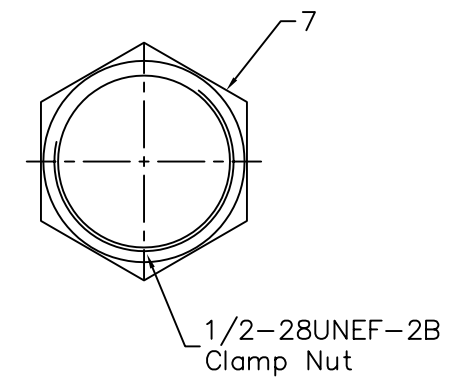
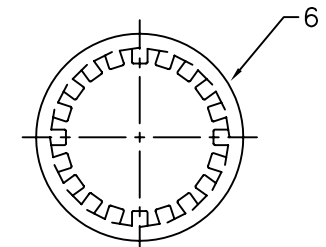
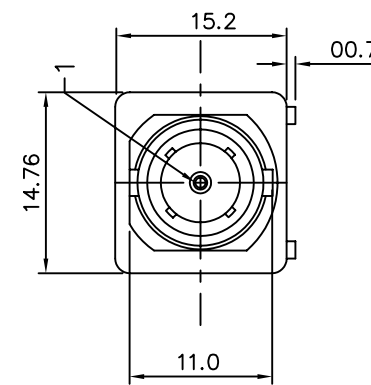
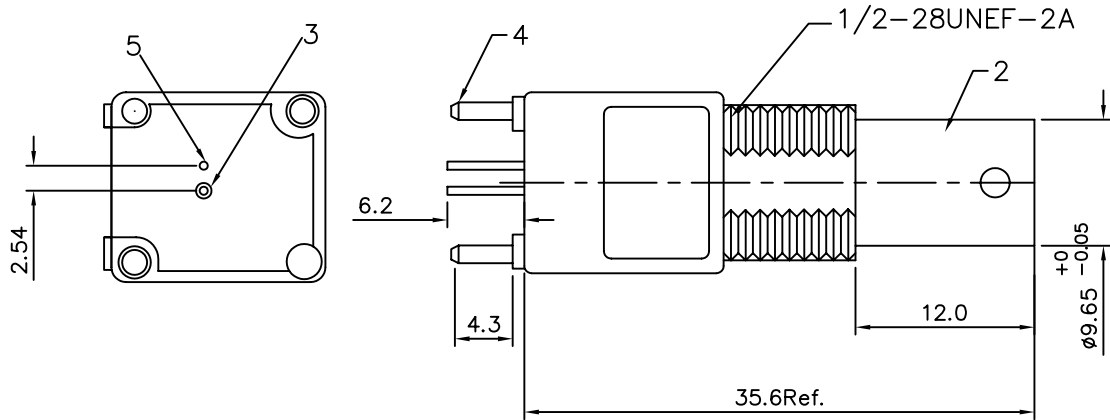
Recommended Mounting Hole  
Max. Panel Thickness: 5.5mm



Recommended P.C. Board Layout  
Without Mounting Posts

**SPECIFICATIONS :**

- 75 Ohms BNC Vertical PCB Mount Jack
- 1.Center Contact: Bronze,Gold Plated
- 2.Body: Zinc Alloy,Nickel Plated
- 3.Insulator: PE-606
- 4.Mounting Post: Bronze,Tin Plated
- 5.Solder Tail: Copper Wire,Tin Plated
- 6.Washer : Steel,Nickel Plated
- 7.Nut: Brass,Nickel Plated



**4UCON** 元化興業股份有限公司  
4UCON TECHNOLOGY INC.

DRAWING No.  
10911

APPROVED BY MEI  
CHECKED BY BECKY  
DRAWING BY HZF

UNLESS OTHERWISE SPECIFIED  
TOLERANCES ARE  
X. ±0.5  
.X ±0.3  
.XX ±0.2

SCALE NONE

REV. A

UNIT mm

NO. REV.

A NEW RELEASE

BECKY

REVISIONS

CHK

DATE