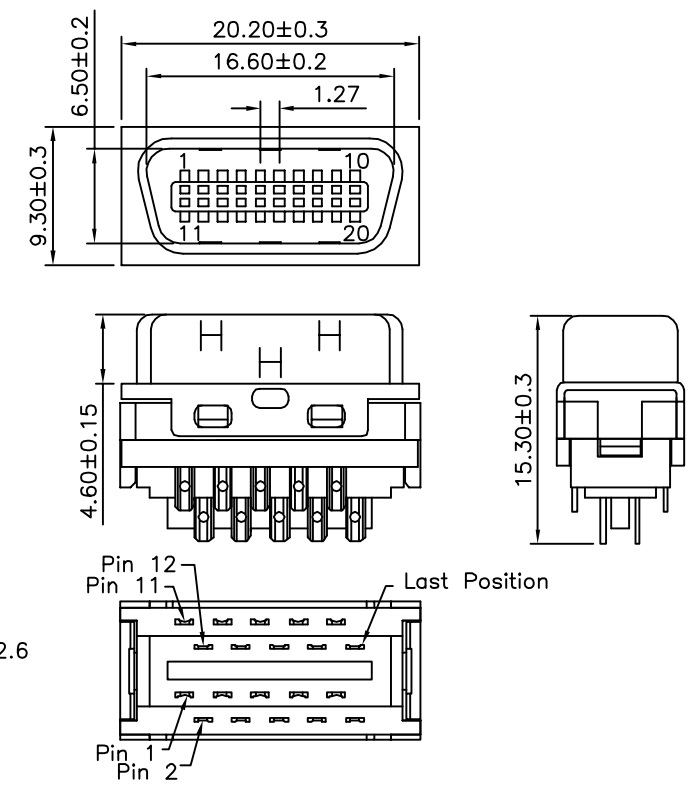
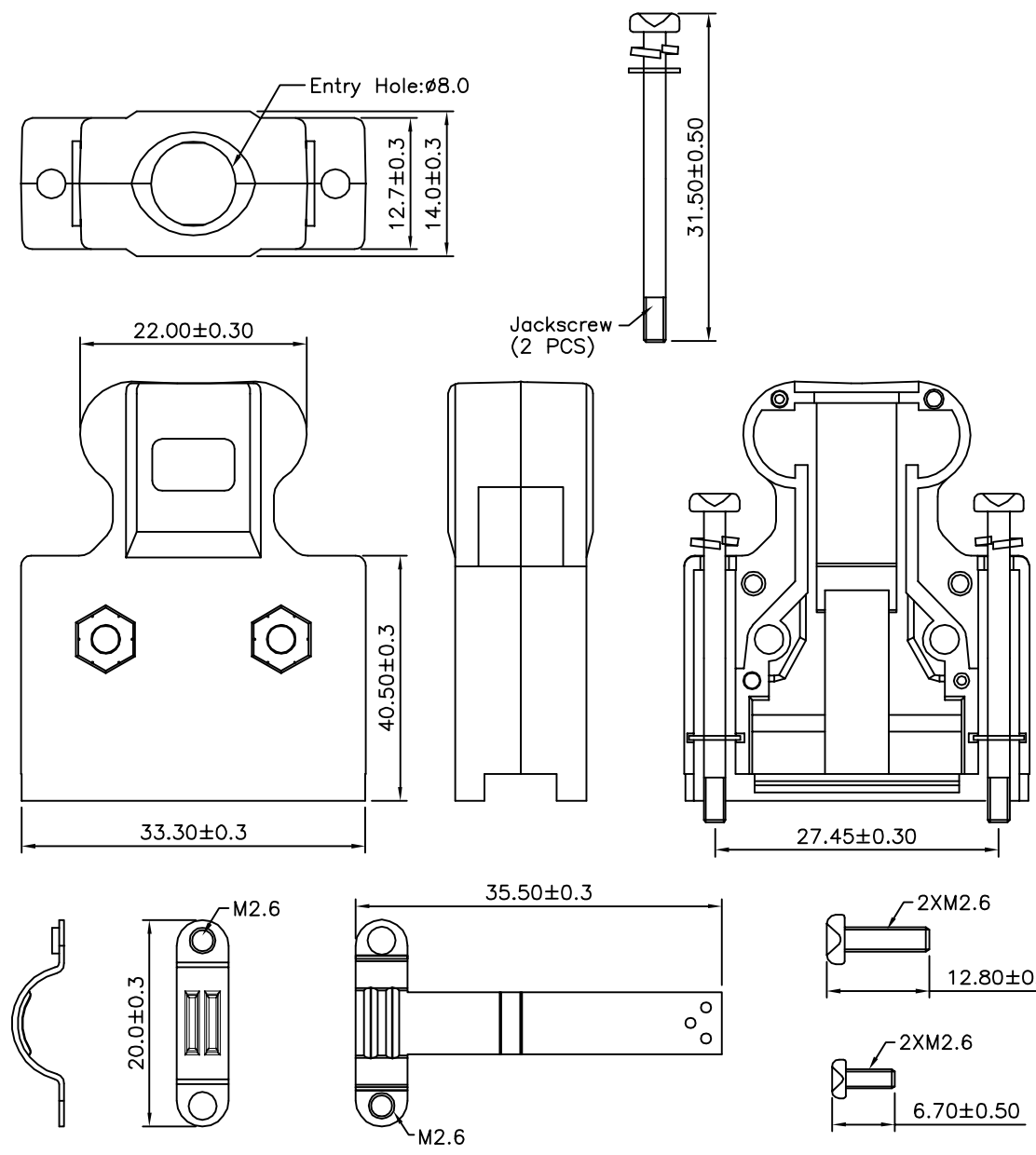


SPECIFICATION
 Contact Current Rating:0.5 Amp
 Withstand Voltage:500V AC
 Contact Resistance:35 Milliohms Max.
 Insulation Resistance:>500 Megohms Min.
 Operation Temperature:-55°C~+85°C
 Insulator:PBT(UL94V-0),Black
 Contact:Phosphor Bronze
 Selective Gold Plated 5u" Over Nickel
 Front Shell:Steel,Nickel Plated Over Copper
 Hood:PBT(UL94V-0),Black
 Jackscrews:Steel,Nickel Plated Over Copper
 Hex Nuts:Steel,Nickel Plated Over Copper
 Cable Clipper:Steel,Nickel Plated Over Copper
 Screws:Steel,Nickel Plated Over Copper
 RoHS Compliant



4UCON 元化興業股份有限公司
 4UCON TECHNOLOGY INC.

DRAWING No.		APPROVED BY		UNLESS OTHERWISE SPECIFIED TOLERANCES ARE .X ±0.3 .XX ±0.25 ANG.
10952		MEI		
		HZF		
		DRAWING BY		
		CYP		
SCALE	NONE	REV.	A0	UNIT mm

△ A0	NEW RELEASE	HZF	07/30/2015
NO.REV.	REVISIONS	CHK	DATE