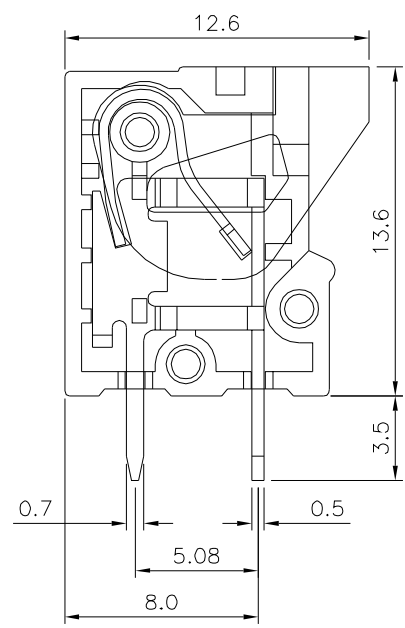
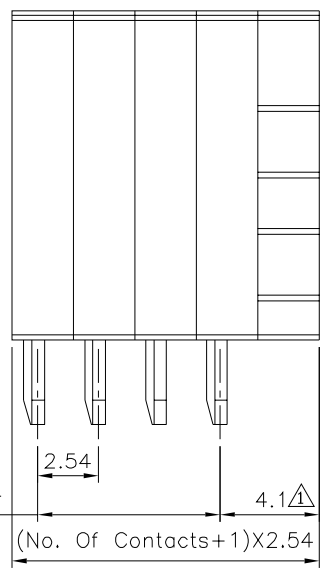


Recommended P.C.B. Layout



△△△ SPECIFICATION
 Current Rating:2 Amp/Way Max.
 Voltage Rating:150V AC
 Withstanding Voltage:2000V AC(1 Minute)
 Test Time=60s/PCS
 Contact Resistance:20 Milliohms Max.
 Wire Range:20~26 AWG
 Operation Temperature:-40°C~+105°C
 Test Temperature:250°C 5 Seconds Max.
 Wire Guard:Stainless Steel
 Surface Of Solder Tails:Copper Alloy,Tin Plated
△4 Insulator Body(Housing):Polyamide+G.F.(UL94V-0),Green RoHS Compliant
 * 02~20P Available

4UCON 元化興業股份有限公司
 4UCON TECHNOLOGY INC.

| | | | | |
|------------------------|------|----------------------|----|--|
| DRAWING No. △△△ | | APPROVED BY EMILY | | UNLESS OTHERWISE SPECIFIED TOLERANCES ARE X. ±0.50 .X ±0.30 .XX ±0.20 ANG. ±1° |
| 11399 | | CHECKED BY HZF | | |
| | | DRAWING BY HAO | | |
| SCALE | NONE | REV. | A4 | UNIT mm |

| | | | | |
|-----------|------|-------------|-----|------------|
| △4 | A4 | Modify Data | HZF | 06/18/2020 |
| △3 | A3 | Modify Data | HZF | 05/12/2015 |
| △2 | A2 | Modify Data | HZF | 09/10/2013 |
| △1 | A1 | Modify Data | HZF | 01/06/2012 |
| △0 | A0 | NEW RELEASE | HZF | 05/23/2009 |
| NO. | REV. | REVISIONS | CHK | DATE |