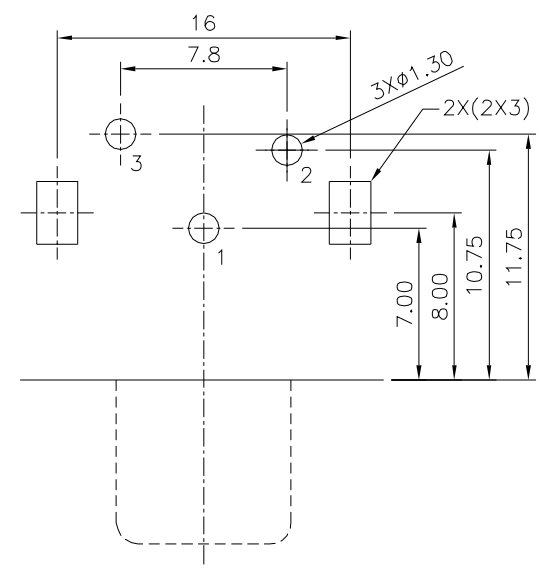
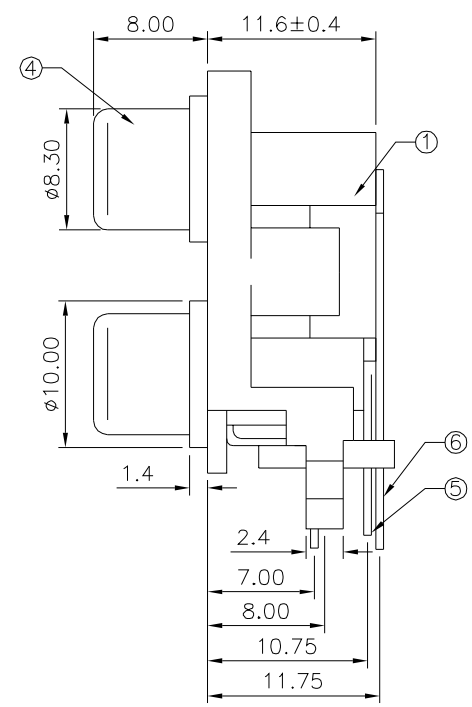
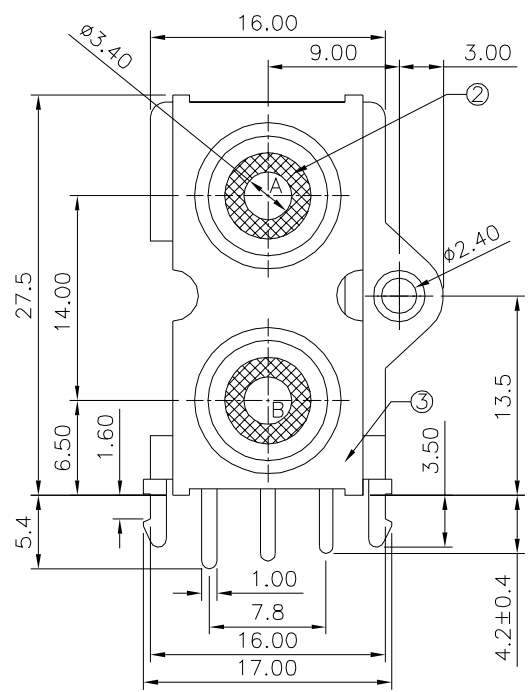
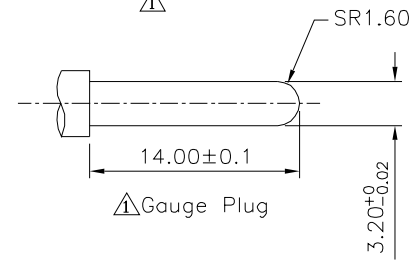


△ SPECIFICATION
 Current Rating:0.2A Max.
 Voltage Rating:50V AC
 Withstand Voltage:500V AC/Minute
 Contact Resistance:30 Milliohms Max.
 After Testing:100 Milliohms Max.
 Insulation Resistance:100 Megaohms Min.
 Insertion Force:3~30N
 Withdrawal Force:3~30N
 Durability:100 Cycles
 Temperature Range:-20°C~+60°C
 RoHS Compliant

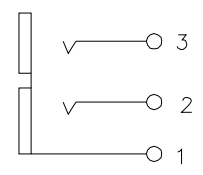


△ Recommended P.C.B. Layout
Top View

Ring Color	A	B
ITEM No.	White	Red
11521		



△ Gauge Plug



△ Schematic

No.	Part Name	Q'ty	Material	Remark
①	Housing	1	ABS	White
②	Washer	2	ABS	
③	Cover	1	ABS	Black
④	Socket	1	Brass	CuSn Plated
⑤	Terminal-A	1	Brass	CuSn Plated
⑥	Terminal-B	1	Brass	CuSn Plated

4UCON 元化興業股份有限公司
4UCON TECHNOLOGY INC.

DRAWING No.		APPROVED BY		UNLESS OTHERWISE SPECIFIED TOLERANCES ARE L<4 ±0.2 4<L<16 ±0.3 16<L<63 ±0.4 63<L ±0.5 ANG. ±5'
11521		MEI		
		HZF		
		DRAWING BY		
		CYP		
SCALE	NONE	REV.	A1	UNIT mm

△ A1	Modify Data	HZF	06/04/2020
△ A0	NEW RELEASE	HZF	06/01/2016
NO.REV.	REVISIONS	CHK	DATE