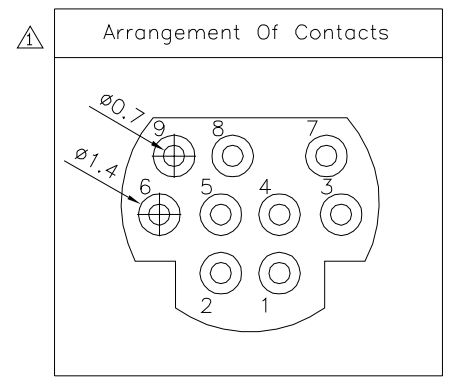
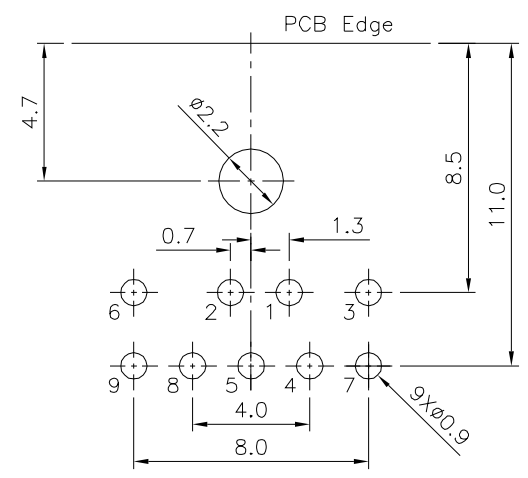
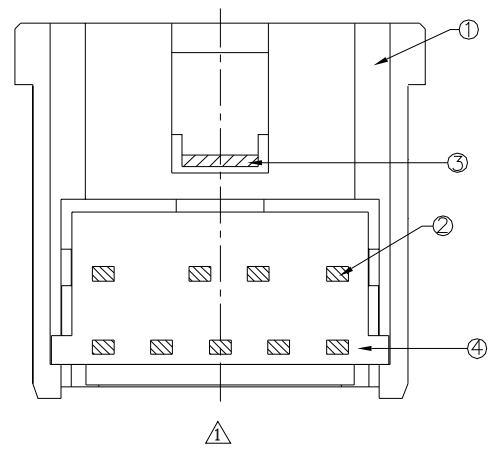


△ SPECIFICATION
 Contact Resistance: 30 Milliohms Max.
 Insulation Resistance: 100 Megohms Min. At 500V DC
 Rated Voltage And Current: DC 12V 2A Max., AC 100V 1A Max.
 Withstand Voltage: 250V AC For 1 Minute
 Durability: 100 Cycles
 Insertion Force: 4.0Kg Max.
 Extraction Force: 0.9Kg Min.
 RoHS Compliant



④	Bottom Cover	PBT+G.F.	Black	1
③	Ground	Brass	Tin Plated	1
②	Contact	Phosphor Bronze	Gold Flash On Contact Area, Tin Plated On Solder Tails, Over Nickel	9
①	Housing	PBT+G.F.	Black	1
No.	Name	Material	Finish	Q'ty

Recommended P.C.B. Layout (Bottom View)

4UCON 元化興業股份有限公司
 4UCON TECHNOLOGY INC.

DRAWING No.		APPROVED BY	
11560		MEI	
		CHECKED BY	
		HZF	
		DRAWING BY	
		CYP	
SCALE	NONE	REV.	A2

UNLESS OTHERWISE SPECIFIED TOLERANCES ARE				
△	X.	±0.38		
△	.X	±0.25	△ A2	Modify Data
△	.XX	±0.13	△ A1	Modify Data
△	.XXX	±0.05	△ A0	NEW RELEASE
NO.	REV.	REVISIONS	CHK	DATE