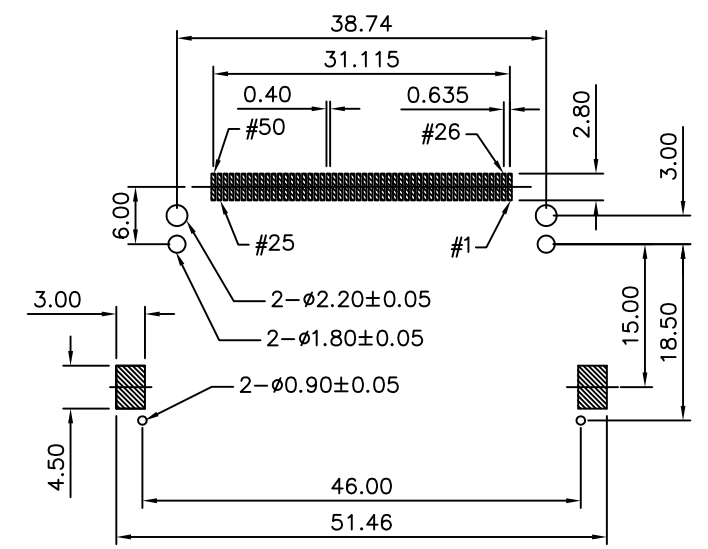
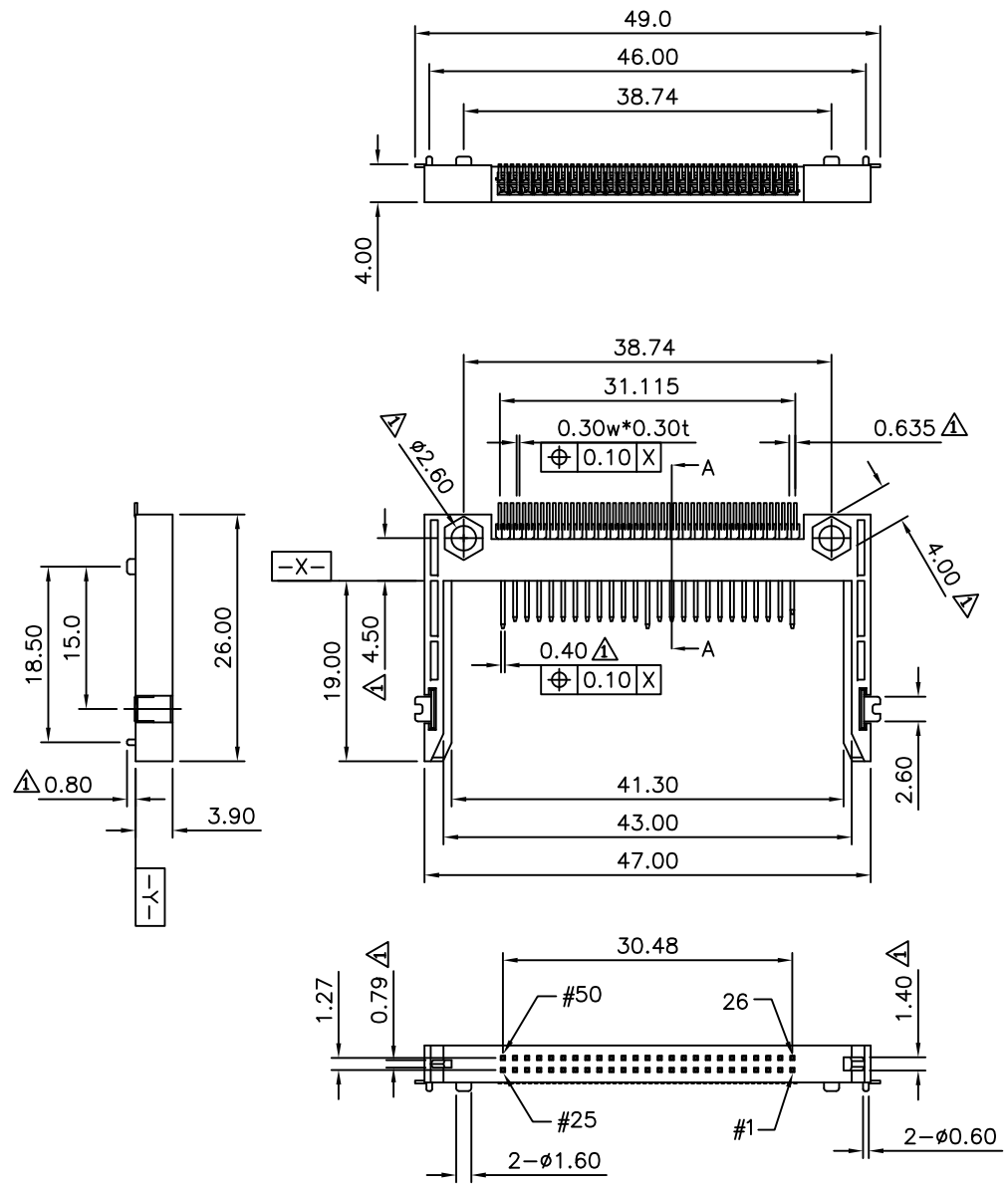


△ SPECIFICATIONS

Housing: LCP
 Contact: Phosphor Bronze, Nickel Plated
 Contact Area: Select Gold Over Nickel Plated
 Solder Tail: Tin Plated Over Nickel Plated
 Pad: Brass, Tin Plated Over Ni Plated



Recommended P.C.B. Layout

Pin Type	Interface Dim L.	Pin No.
Detect	3.50mm	25,26
General	4.25mm	The Others
Power	5.00mm	01,13,38,50

4UCON 元化興業股份有限公司
 4UCON TECHNOLOGY INC.

DRAWING No.		APPROVED BY		UNLESS OTHERWISE SPECIFIED TOLERANCES ARE X ±0.40 XX ±0.30 XXX ±0.20 ANG. ±2°
11679		MEI		
		CHECKED BY	BECKY	
		DRAWING BY	TCF	
SCALE	NONE	REV.	A2	UNIT mm

△ A2			
△ A1	Updated Dim & Specifications	HZF	08/08/2007
△ A0	NEW RELEASE	BECKY	
NO. REV.	REVISIONS	CHK	DATE