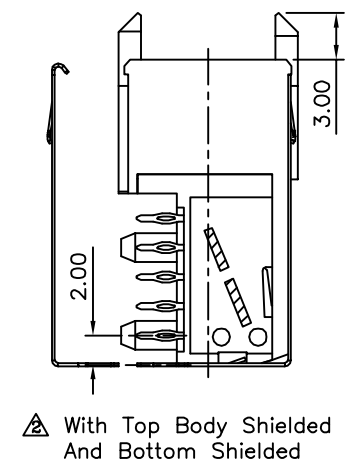
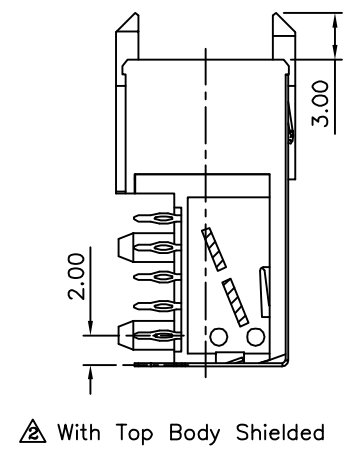
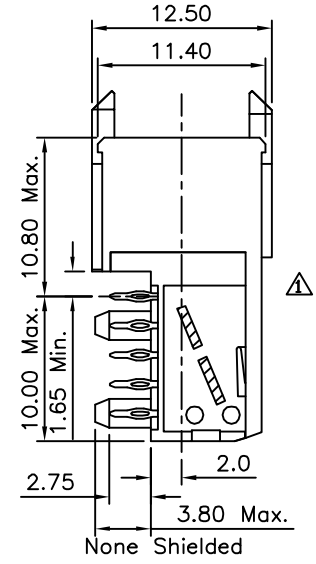
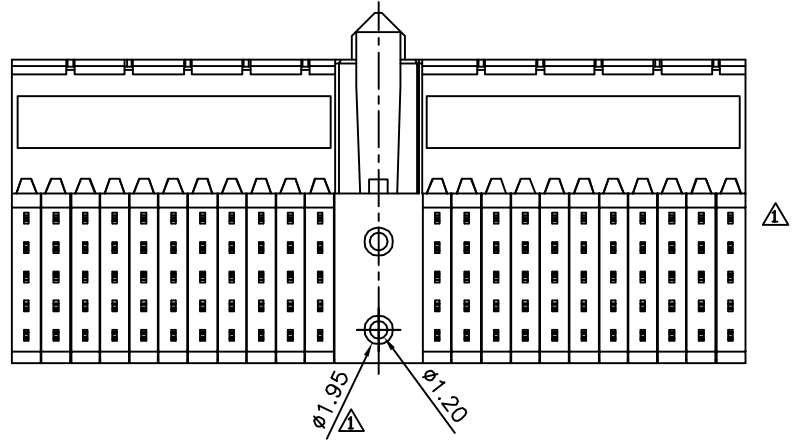
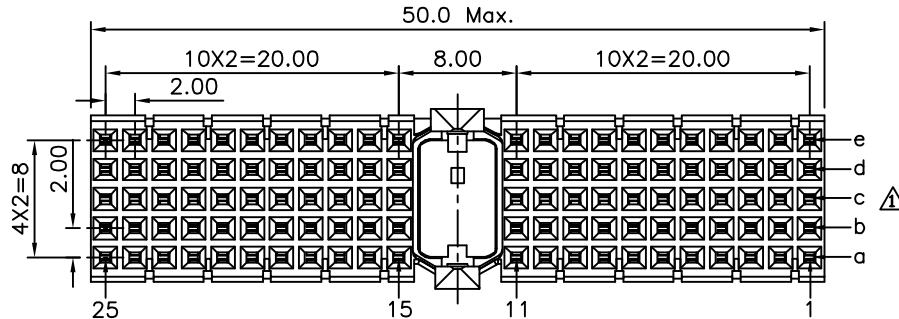


Recommended P.C.B. Layout(Top View)



△ SPECIFICATION

Current Rating: 1 Amp
 Dielectric Withstanding Voltage: 750V AC For 1 Minute
 Contact Resistance: 20 Milliohms Max. At DC 100mA
 Insulation Resistance: 10000 Megaohms Min. At DC 500V
 Operating Temperature: -55°C~+105°C
 Housing: PBT+30%G.F.(UL94V-0)
 Contact: Phosphor Bronze
 Gold Flash On Contact Area, Tin Plated On Solder Tails, Over Nickel
 RoHS Compliant

4UCON 元化興業股份有限公司
 4UCON TECHNOLOGY INC.

DRAWING No.		APPROVED BY		UNLESS OTHERWISE SPECIFIED TOLERANCES ARE △ X. ±0.5 .X ±0.25 .XX ±0.15
12062		MEI		
		CHECKED BY HZF		
		DRAWING BY SONG		
SCALE	NONE	REV.	A2	UNIT mm

NO.	REV.	REVISIONS	CHK	DATE
△ A2		Modify Data	HZF	02/24/2012
△ A1		Modify Data	HZF	11/18/2009
△ A0		NEW RELEASE	BECKY	09/27/2005

Item No.12062