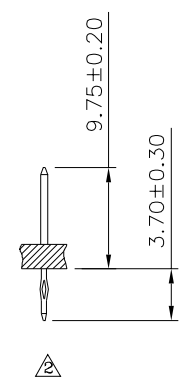
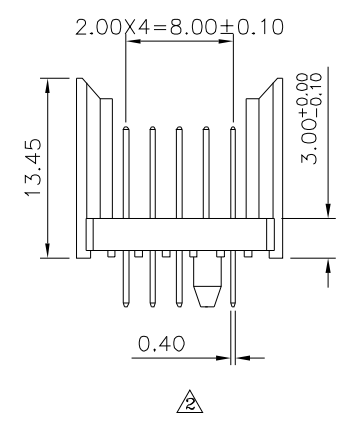
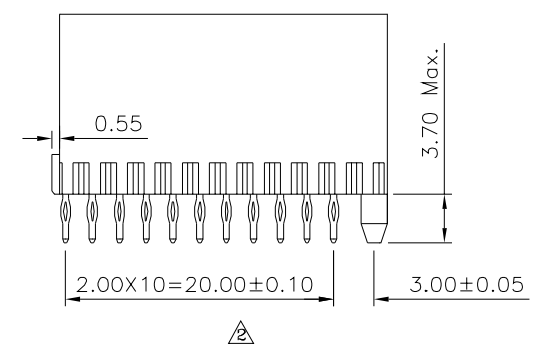
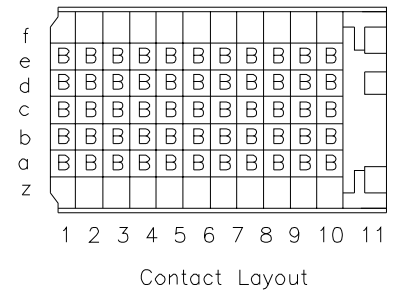
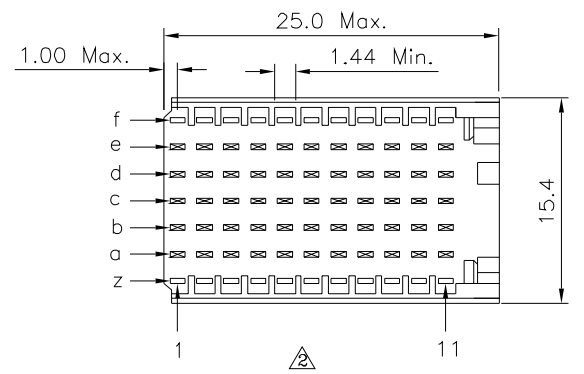
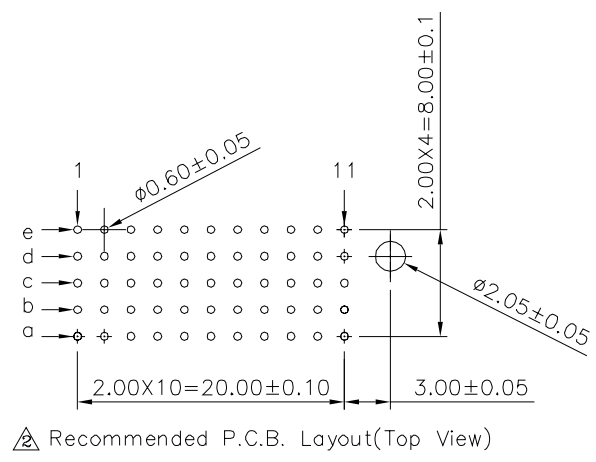


△ SPECIFICATION
 Current Rating: 1 Amp
 Dielectric Withstanding Voltage: 750V AC For 1 Minute
 Contact Resistance: 20 Milliohms Max. At DC 100mA
 Insulation Resistance: 10000 Megaohms Min. At DC 500V
 Operating Temperature: -55°C~+125°C
 Housing: PBT+G.F.(UL94V-0)
△ Contact: Brass
 Gold Plated 10u" On Contact Area, Tin
 Plated On Solder Tails, Over Nickel
 RoHS Compliant



4UCON 元化興業股份有限公司
 4UCON TECHNOLOGY INC.

DRAWING No. △/△		APPROVED BY MEI	
12065		CHECKED BY HZF	
		DRAWING BY CYP	
SCALE	NONE	REV.	A3

UNLESS OTHERWISE SPECIFIED TOLERANCES ARE					
△	X. ±0.5	△	A3	Modify Data	HZF 06/11/2019
△	.X ±0.25	△	A2	Modify Data	HZF 06/05/2019
△	.XX ±0.15	△	A1	Modify Data	SHIN 03/22/2007
△		△	A0	NEW RELEASE	
NO. REV.	REVISIONS		CHK	DATE	