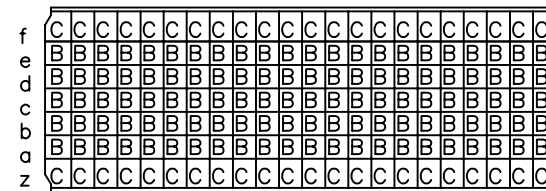
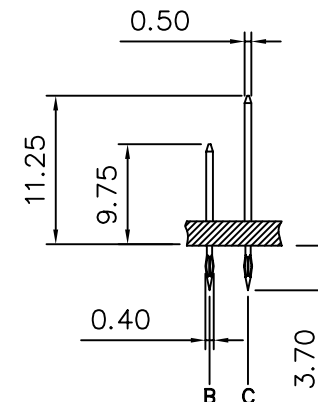
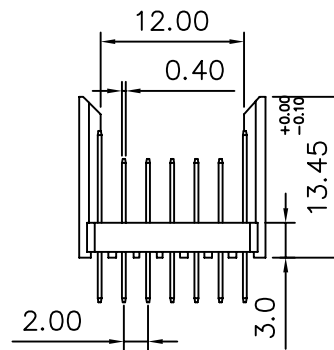
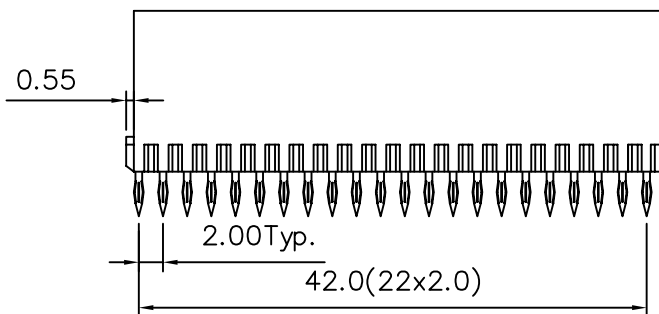
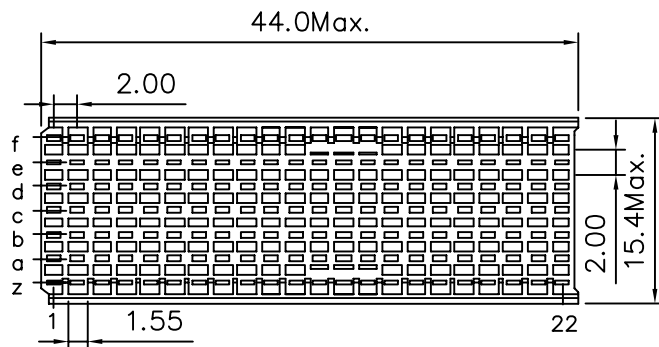


PCB Layout
(Top View)



1 2 3 4 5 6 7 8 9 10 11 12 13 14 15 16 17 18 19 20 21 22

Contact Layout



4UCON 元化興業股份有限公司
4UCON TECHNOLOGY INC.

DRAWING No.
12067

APPROVED BY
MEI
CHECKED BY
BECKY
DRAWING BY
HZF

UNLESS OTHERWISE
SPECIFIED
TOLERANCES ARE
.X ±0.1
.XX ±0.05
.XXX ±0.01

SCALE NONE

REV. A0

UNIT mm

NO. REV.

A0 NEW RELEASE

MEI

DATE

REVISIONS

CHK