

△ SPECIFICATION

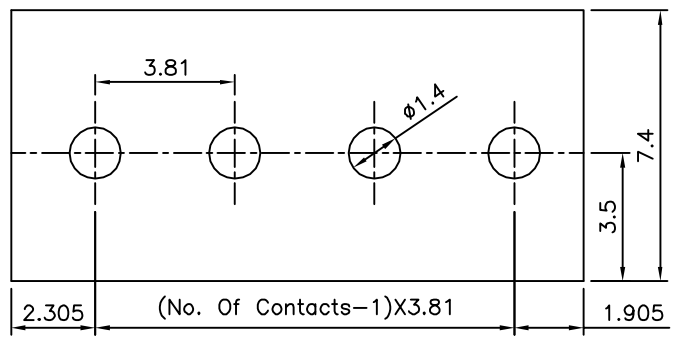
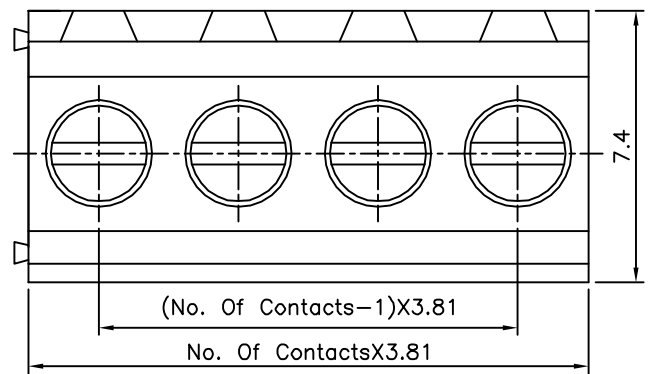
Voltage Rating:300V AC
 Current Rating:10 Amp/Way Max.
 Contact Resistance:20 Milliohms Max.
 Withstanding Voltage:2500V AC For 1 Minute
 Test Time=60Sec./1 PCS

Wire Range:16~30 AWG
 Torque:2 Kgf.cm/M2

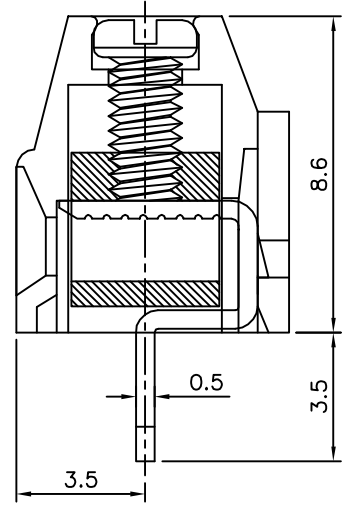
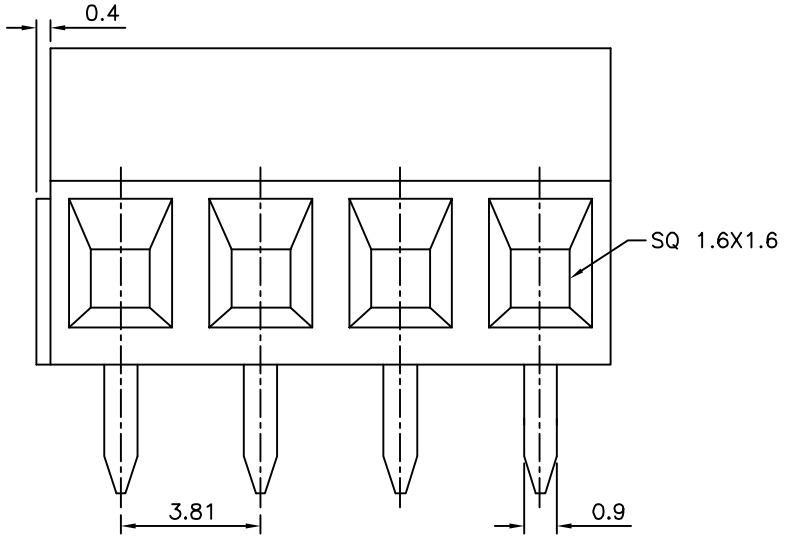
△ Operation Temperature:-40°C~+105°C
 Soldering Reliability:Test Temperature=250°C±10°C
 5 Seconds Max.

Contact(Metal Housing):Copper Alloy,Nickel Plated
 Solder Pin:Copper Alloy,Tin Plated
 Terminal Screw:Steel,Galvanized,Cr3+ Plated
 Insulator Body(Housing):Polyamide(UL94V-0)
 Green

RoHS Compliant



△ Recommended P.C.B. Layout



4UCON 元化興業股份有限公司
 4UCON TECHNOLOGY INC.

DRAWING No.		APPROVED BY		UNLESS OTHERWISE SPECIFIED TOLERANCES ARE X. ±0.50 .X ±0.30 .XX ±0.20 ANG. ±1°
12335		EMILY		
		CHECKED BY		
		HZF		
		DRAWING BY		UNIT mm
		HAO		
SCALE	NONE	REV.	A2	NO. REV.

△ A2	Modify Data	HZF	11/06/2014	
△ A1	Modify Data	HZF	07/05/2011	
△ A0	NEW RELEASE	HZF	04/15/2010	
NO. REV.	REVISIONS	CHK	DATE	