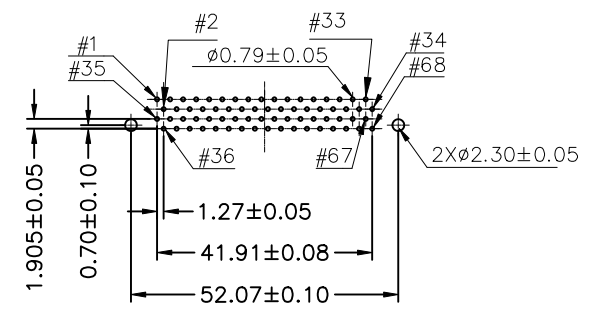
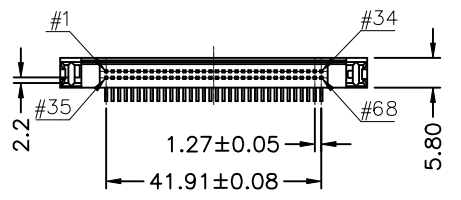
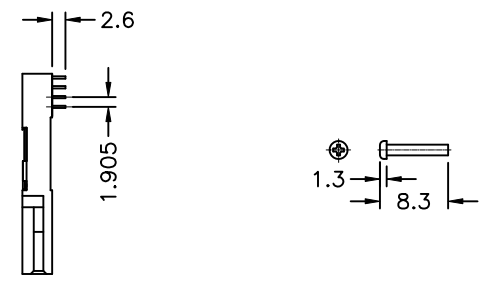
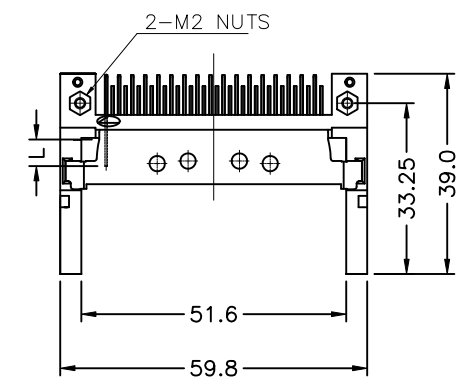


SPECIFICATIONS

- ⚠ Insulator: PBT, UL 94V-0
- Contact: Copper Alloy
- Color: Black
- Contact Plating: Selective 15u" Gold Over 50u" Nickel
- Voltage Rating: 3.3V
- With 2Pcs M2 Screws
- Accept PCMCIA Type I, Type II or Type III Card
- RoHS Compliant



RECOMMENDED HOLE PATTERN

Pin Type	Dim. L ±0.10	Pin Number
Detect	3.50	36, 67
General	4.25	All Other Pins
Power	5.00	1,17,34,35,51,68

4UCON 元化興業股份有限公司
4UCON TECHNOLOGY INC.

DRAWING No.		APPROVED BY		UNLESS OTHERWISE SPECIFIED TOLERANCES ARE .X ±0.30 .XX ±0.20 .XXX ±0.10
12498		MEI		
		CHECKED BY BECKY		
		DRAWING BY TCF		
SCALE	NONE	REV.	A1	UNIT mm

NO.	REV.	REVISIONS	CHK	DATE
△ A1		Modify Material	INGRID	04/03/2008
△ A0		NEW RELEASE		