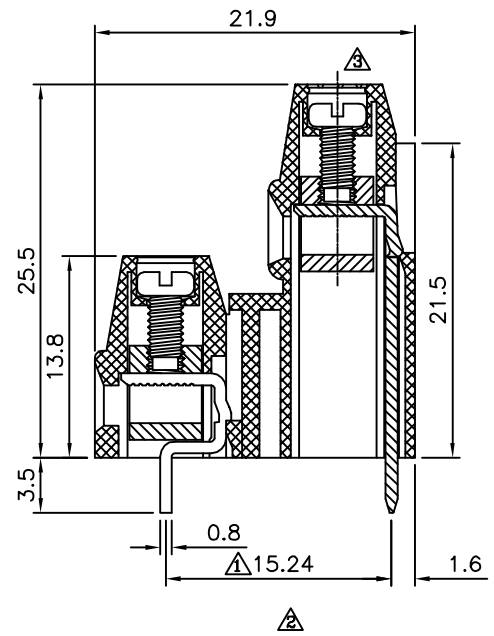
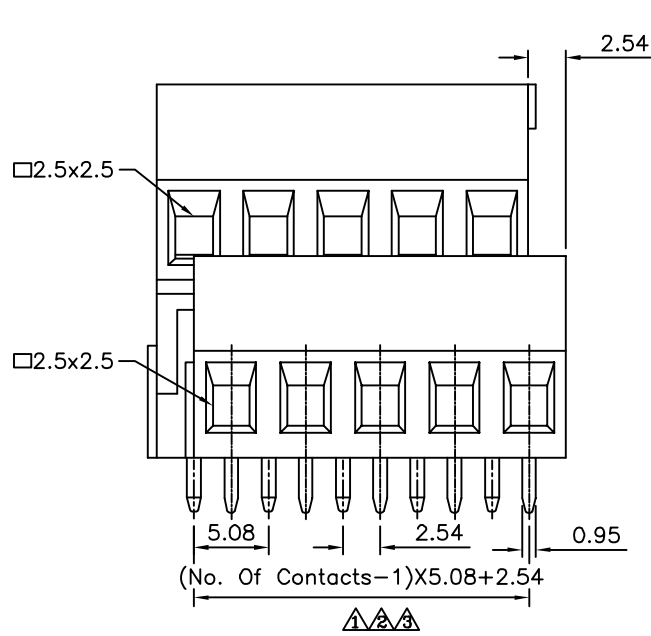


**SPECIFICATION**  
 Current Rating: 16 Amps/Way Max.  
 Voltage Rating: 300V AC  
 Withstanding Voltage: 2500V AC (1 Minute) Test Time = 60 Sec./1PCS  
 Contact Resistance: 20 Milliohms Max.  
 Operation Temperature: -40°C ~ +105°C  
 Torque: 4.5 kgf.cm/M2.5  
 Soldering Reliability: 250°C ± 10°C / 5 Seconds Max.  
 Wire Range: 12 ~ 30 AWG  
 Insulator Body (Housing): Polyamide (UL94V-0), Green  
 Contact (Metal Housing): Copper Alloy, Nickel Plated  
 Terminal Screw: Steel Galvanized With Cr3+ Plated  
 Solder Pin: Copper Alloy, Tin Plated  
 RoHS Compliant



**4UCON** 元化興業股份有限公司  
 4UCON TECHNOLOGY INC.

DRAWING No.		APPROVED BY		UNLESS OTHERWISE SPECIFIED TOLERANCES ARE X. ±0.50 .X ±0.30 .XX ±0.20 ANG. ±1°
12711		MEI		
		HZF		
		DRAWING BY		
		HAO		
SCALE	NONE	REV.	A3	UNIT mm

$\triangle$ A3	Modify Data	HZF	11/16/2015
$\triangle$ A2	Modify Data	HZF	10/24/2015
$\triangle$ A1	Modify Data	HZF	06/18/2010
$\triangle$ A0	NEW RELEASE	HZF	06/02/2009
NO. REV.	REVISIONS	CHK	DATE