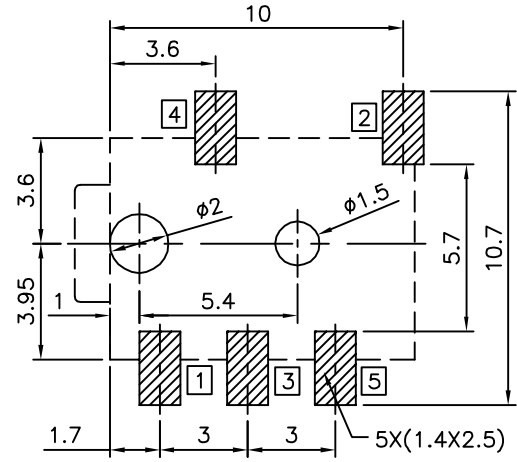
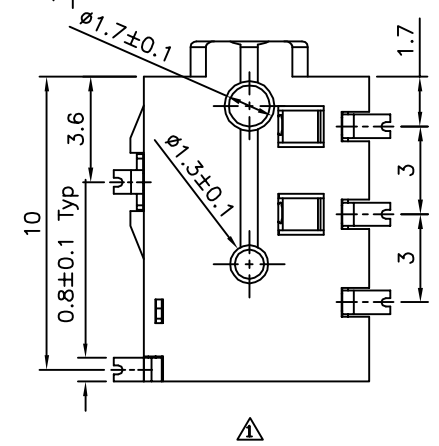
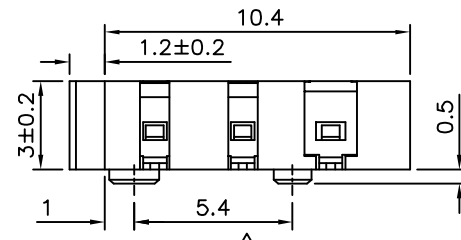
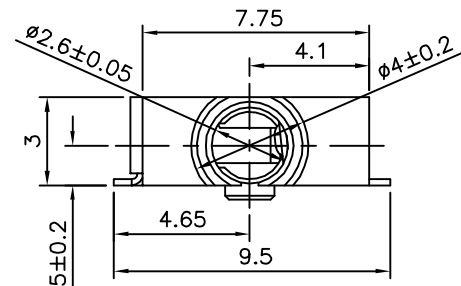
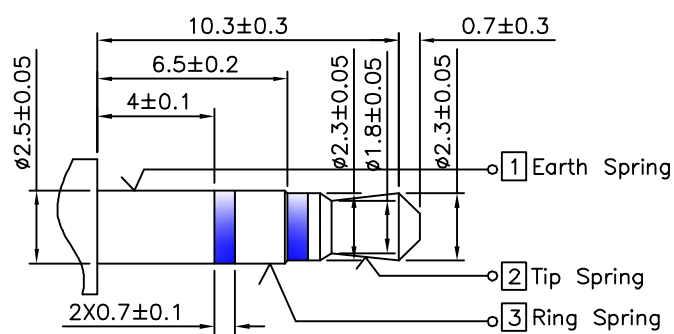


△ SPECIFICATION

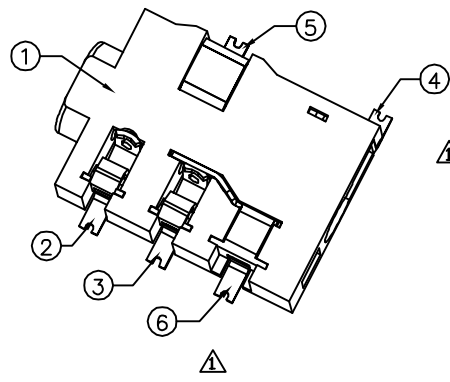
Rating:DC 30V 0.5A  
 Contact Resistance:30 Milliohms Max.  
 After Test:50 Milliohms  
 Insulation Resistance:100 Megaohms Min.(500V DC)  
 After Test:50 Megaohms  
 Withstand Voltage:500V AC  
 Insertion And Extraction Force:3~25N  
 Life Test:5000 Cycles Min.  
 Operation Temperature:-20°C~+70°C  
 Perservative Temperature:-40°C~+85°C  
 RoHS Compliant



△ Recommended P.C.B. Layout(Top View)  
 Unspecified Tolerance:±0.05

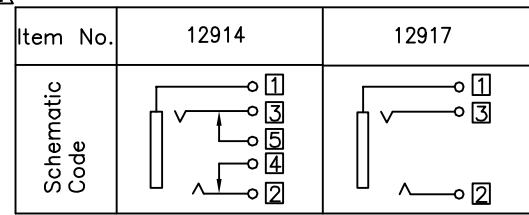


△ Matching Plug



⑥	Shunt Terminal-2	5	1	Phosphor Bronze	Gold Plated Over Nickel
⑤	Shunt Terminal-1	4	1	Phosphor Bronze	Gold Plated Over Nickel
④	Tip Spring	3	1	Beryllium Bronze	Gold Plated Over Nickel
③	Ring Spring	2	1	Beryllium Bronze	Gold Plated Over Nickel
②	Earth Terminal	1	1	Beryllium Bronze	Gold Plated Over Nickel
①	Housing		1	PA9T	Black
No.	Description	Q'ty	Material	Remark	

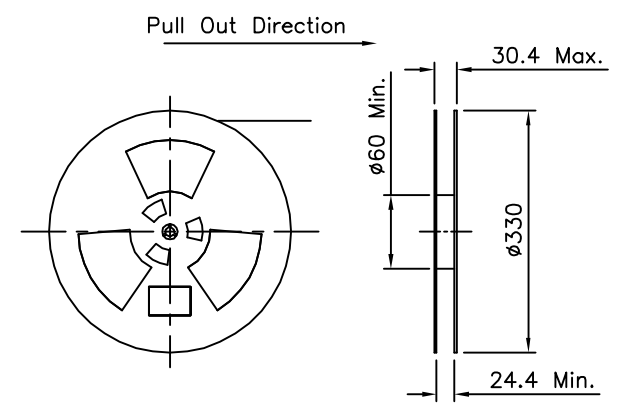
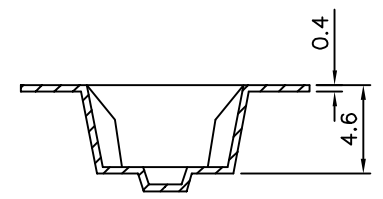
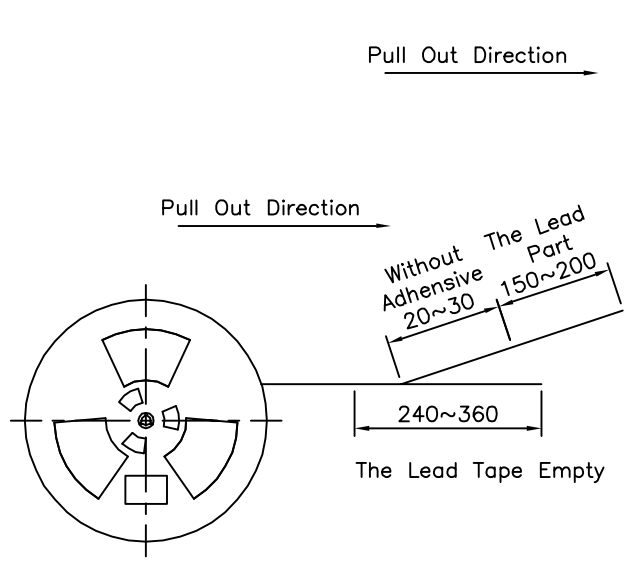
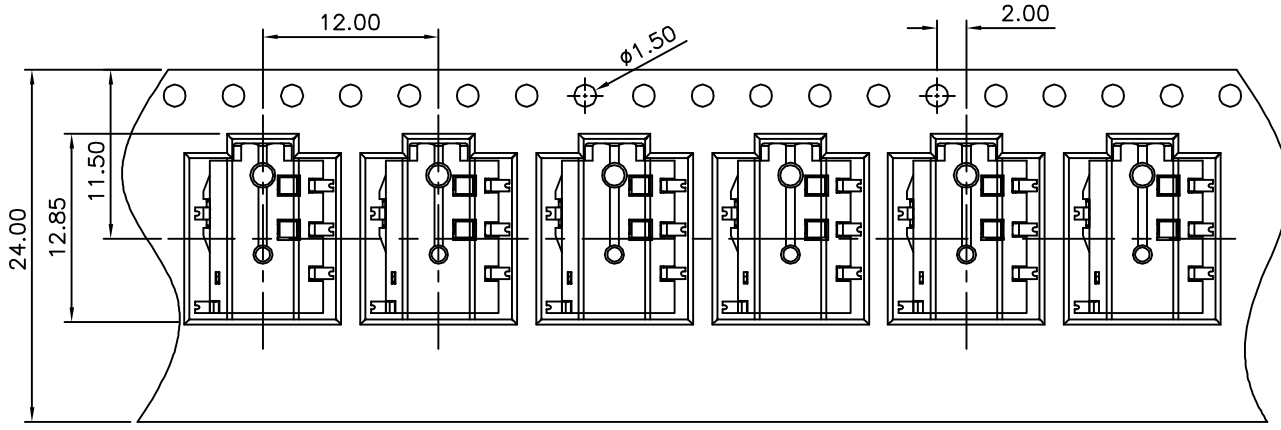
△ □: Terminal No.



DRAWING No.		APPROVED BY		UNLESS OTHERWISE SPECIFIED TOLERANCES ARE △ .X ±0.3 .XX ±0.3 ANG. ±2°					
12914		MEI							
		CHECKED BY							
		DRAWING BY							
SCALE	NONE	REV.	A1	UNIT	mm				
						△ A1	Modify Data	HZF	05/10/2013
						△ A0	NEW RELEASE	BECKY	03/02/2005
						NO. REV.	REVISIONS	CHK	DATE

**SPECIFICATION**

The Connector Can Not Be Loaded On The Position Of Length 240~360mm In The Reel Tape And Lead Tape. The Cover Tape With 20~30mm Length Shall Not Be Adhesive On The Lead Tape And The Cover Tape Is Lead Portion Shall Have 150~200mm Length After Winding, Using The Adhesive Tape (30~50mm) To Stick The Leader Of Cover Tape On The Side Of Reel Condition Of 300mm Per Minute, The Extraction Strength Of Cover Tape Shall Reach 20~150gf  
 Q'ty: 1000 PCS/Reel  
 RoHS Compliant



**4UCON** 元化興業股份有限公司  
 4UCON TECHNOLOGY INC.

DRAWING No.		APPROVED BY		UNLESS OTHERWISE SPECIFIED TOLERANCES ARE .X ±0.38 .XX ±0.25 ANG.
12914		MEI		
		CHECKED BY		
		HZF		UNIT mm
		DRAWING BY		
		GAO		
SCALE	NONE	REV.	A1	

NO.	REV.	REVISIONS	CHK	DATE
△A1		Modify Data	HZF	05/10/2013
△A0		NEW RELEASE	BECKY	03/02/2005