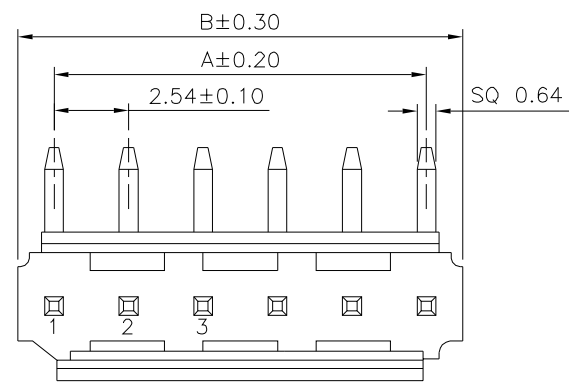
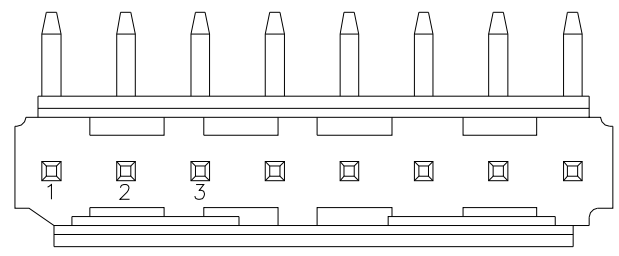


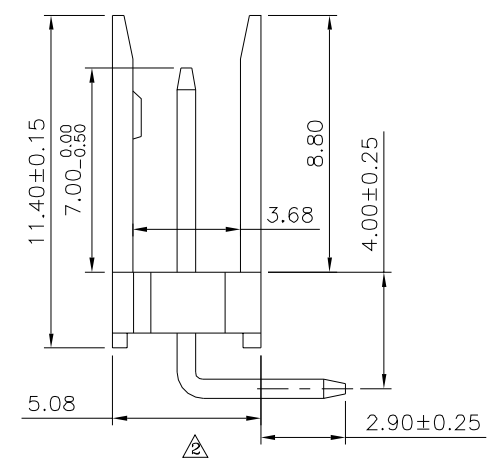
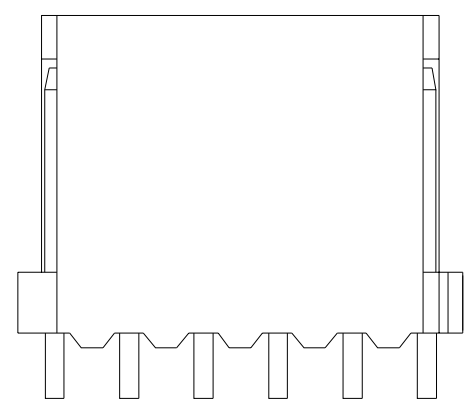
Recommended P.C.B. Layout (Top Side)  
(PCB Board Tolerance ±0.05)



△ 02~06 Pin



△ 07~20 Pin



**SPECIFICATION**

- Current Rating: 3.0 Amp
- △ Voltage Rating: 250V AC/DC
- Withstand Voltage: 1000V AC/DC
- Contact Resistance: 20 Milliohms Max.
- Insulation Resistance: 1000 Megaohms Min.
- Operation Temperature: -25°C ~ +85°C
- △ Insulator: PA66+15%G.F.(UL94V-0), Black
- △ Contact: Brass, Tin Plated Over Nickel
- RoHS Compliant

| Pin | A     | B     |
|-----|-------|-------|
| 02  | 2.54  | 5.08  |
| 03  | 5.08  | 7.62  |
| 04  | 7.62  | 10.16 |
| 05  | 10.16 | 12.70 |
| 06  | 12.70 | 15.24 |
| 07  | 15.24 | 17.78 |
| 08  | 17.78 | 20.32 |
| 09  | 20.32 | 22.86 |
| 10  | 22.86 | 25.40 |
| 11  | 25.40 | 27.94 |
| 12  | 27.94 | 30.48 |
| 13  | 30.48 | 33.02 |
| 14  | 33.02 | 35.56 |
| 15  | 35.56 | 38.10 |
| 16  | 38.10 | 40.64 |
| 17  | 40.64 | 43.18 |
| 18  | 43.18 | 45.72 |
| 19  | 45.72 | 48.26 |
| 20  | 48.26 | 50.80 |

**4UCON** 元化興業股份有限公司  
4UCON TECHNOLOGY INC.

|             |      |             |    |  |
|-------------|------|-------------|----|--|
| DRAWING No. |      | APPROVED BY |    | UNLESS OTHERWISE SPECIFIED TOLERANCES ARE<br>.X ±0.40<br>.XX ±0.25<br>.XXX ±0.15<br>ANG. ±3° |
| 13162       |      | EMILY       |    |  |
|             |      | CHECKED BY  |    |  |
|             |      | HZF         |    |  |
| DRAWING BY  |      | CYP         |    |  |
| SCALE       | NONE | REV.        | A3 | UNIT mm  |

| NO.  | REV. | REVISIONS   | CHK | DATE       |
|------|------|-------------|-----|------------|
| △ A3 |      | Modify Data | HZF | 12/03/2014 |
| △ A2 |      | Modify Data | HZF | 07/15/2014 |
| △ A1 |      | Modify Data | HZF | 04/23/2013 |
| △ A0 |      | NEW RELEASE | HZF | 08/01/2011 |