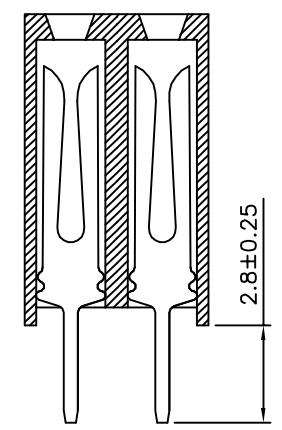
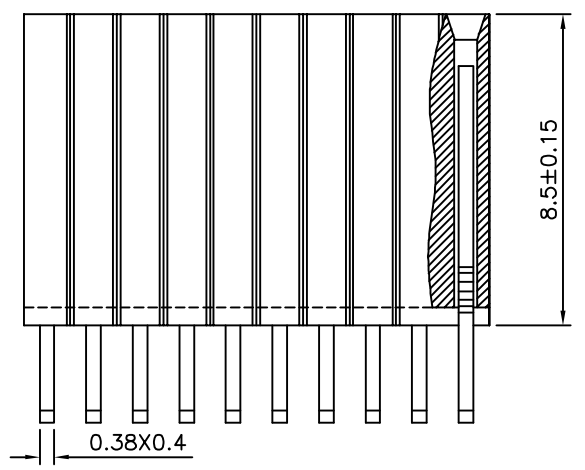
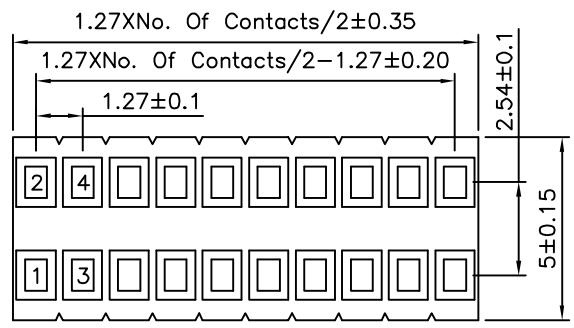


**SPECIFICATION**  
 Current Rating: 1 Amp  
 Withstand Voltage: 500V AC  
 Contact Resistance: 20 Milliohms Max.  
 Insulation Resistance: 1000 Megaohms Min.  
 Operating Temperature: -40°C ~ +105°C  
 Insulator: PA6T (UL94V-0), Black  
 Contact: Brass, Gold Flash Over Nickel  
 RoHS Compliant



**4UCON**

元化興業股份有限公司  
4UCON TECHNOLOGY INC.

DRAWING No.		APPROVED BY		UNLESS OTHERWISE SPECIFIED TOLERANCES ARE	
13806		EMILY			
		CHECKED BY			
SCALE		DRAWING BY		X: ±0.25 X: ±2° X: ±0.20 X: ±1.5° .XX ±0.15 .XX ±1° .XXX ±0.10 .XXX ±0.5°	
NONE	REV.	A0	UNIT	mm	NO. REV.

AO	NEW RELEASE	HZF	01/02/2015
NO. REV.	REVISIONS	CHK	DATE