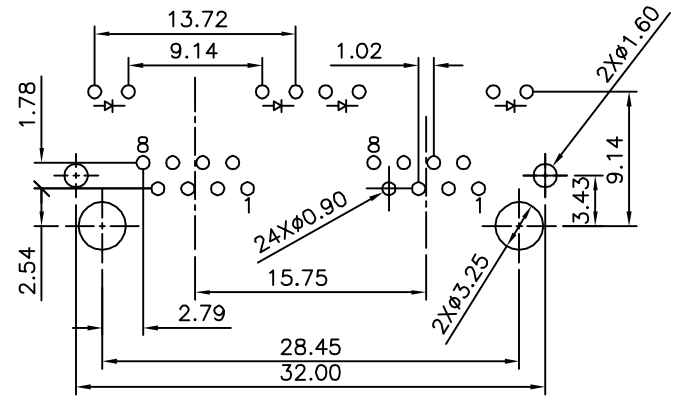
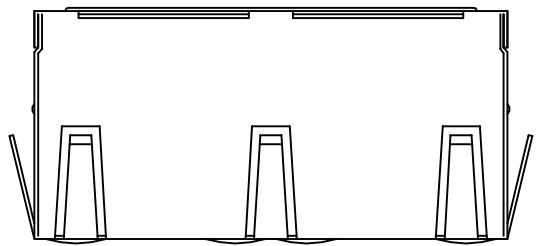
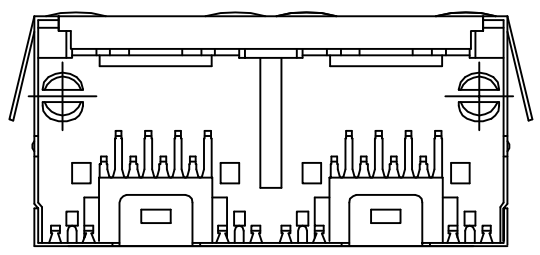
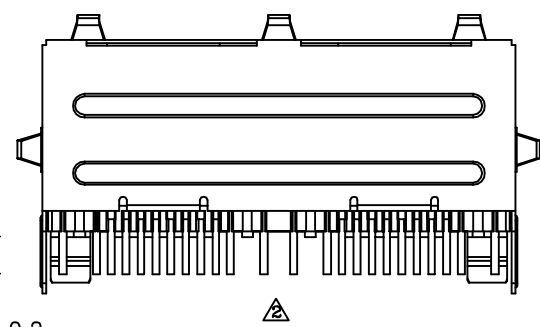
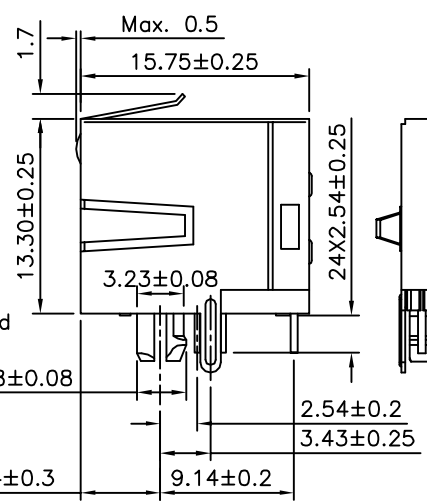
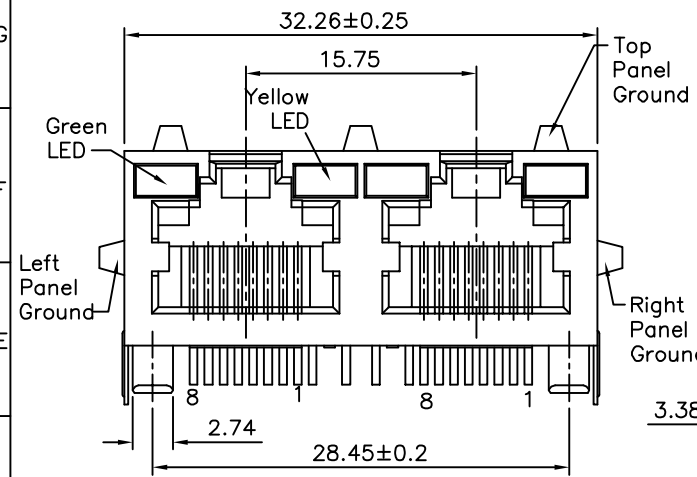


△ SPECIFICATION
 △ Housing: PA46(UL94V-0), Black
 Contacts: Phosphor Bronze
 Gold Plated 30u" On Contact Area,
 Gold Flash On Other Area, Over Nickel
 Shield: Copper Alloy, Nickel Plated
 Cavity Confirms To FCC Rules And Regulations
 Part 68, Subpart F.
 RoHS Compliant



△△ Recommended P.C.B. Layout



4UCON 元化興業股份有限公司
 4UCON TECHNOLOGY INC.

DRAWING No.		APPROVED BY		UNLESS OTHERWISE SPECIFIED TOLERANCES ARE X ±0.25 .XX ±0.13 .XXX ±0.05 ANG. ±0.5°
14237		EMILY		
		CHECKED BY		
		HZF		
		DRAWING BY		
		CYP		
SCALE	NONE	REV.	A2	UNIT
				mm

NO.	REV.	REVISIONS	CHK	DATE
△A2		Modify Data	HZF	12/22/2014
△A1		Modify Data	HZF	09/09/2010
△A0		NEW RELEASE	SHIN	07/17/2007