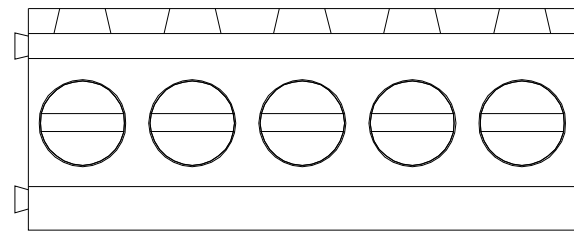
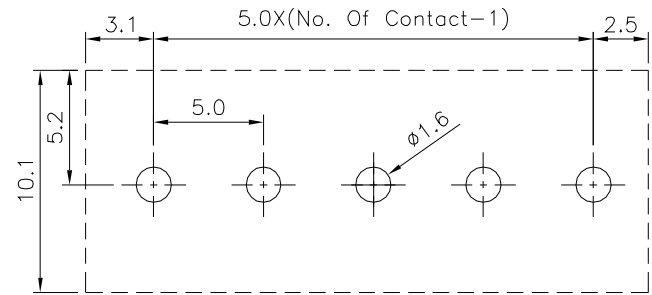


**△△ SPECIFICATION**

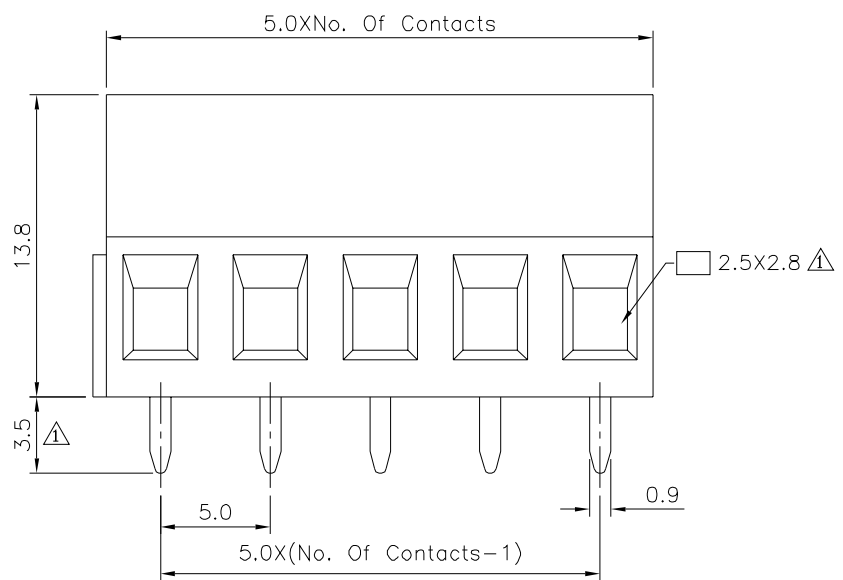
Voltage Rating:300V AC  
 Current Rating:16 Amps/Way Max.  
 Contact Resistance:20 Milliohms Max.  
 Withstanding Voltage:2500V AC(1 Minute)  
 Test Time=60s/PCS  
 Wire Range:12~30 AWG  
 △ Torque:4.5 Kgf.cm/M3.0  
 Operation Temperature:-40°C~+105°C  
 Soldering Reliability:250°C±10°C/5s Max.  
 Contact(Metal Housing):Copper Alloy,Nickel Plated  
 Terminal Screw:Steel,Galvanized With Cr3+ Plated  
 Solder Pin:Copper Alloy,Tin Plated  
 Insulator Body(Housing):Polyamide(UL94V-0),Green  
 RoHS Compliant



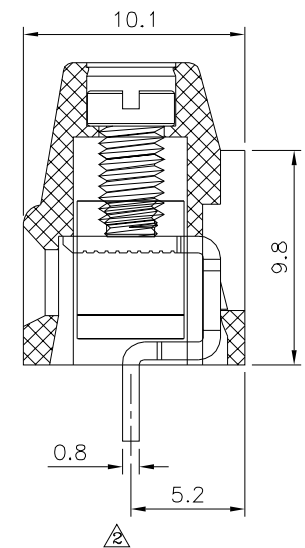
△



Recommended P.C.B. Layout



△△



**4UCON** 元化興業股份有限公司  
 4UCON TECHNOLOGY INC.

DRAWING No.		APPROVED BY		UNLESS OTHERWISE SPECIFIED TOLERANCES ARE X. ±0.50 .X ±0.30 .XX ±0.20 X.° ±1°
14334		MEI		
		CHECKED BY HZF		
SCALE NONE		DRAWING BY CYP		UNIT mm
REV.		A3		

NO.	REV.	REVISIONS	CHK	DATE
△	A3	Modify Data	HZF	11/04/2017
△	A2	Modify Data	HZF	08/15/2013
△	A1	Modify Data	HZF	11/27/2010
△	A0	NEW RELEASE	HZF	11/19/2009