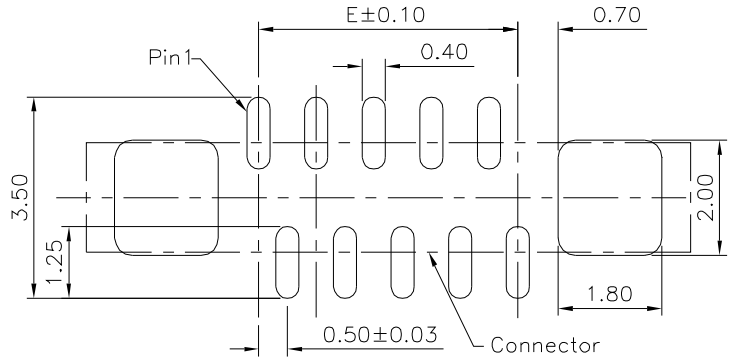
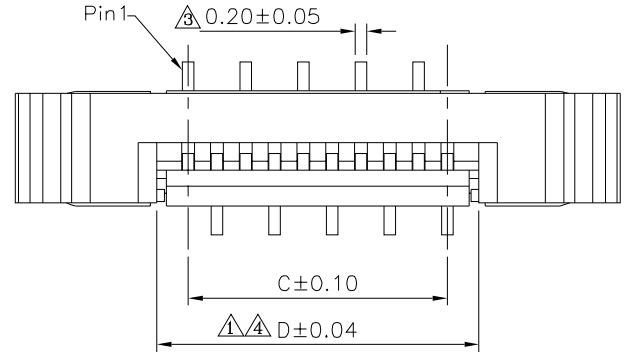
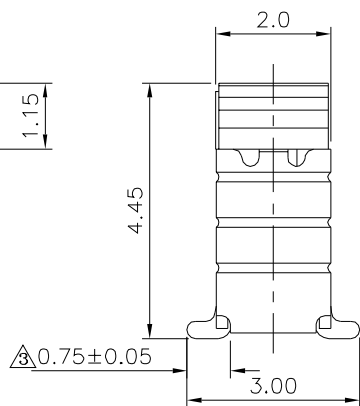
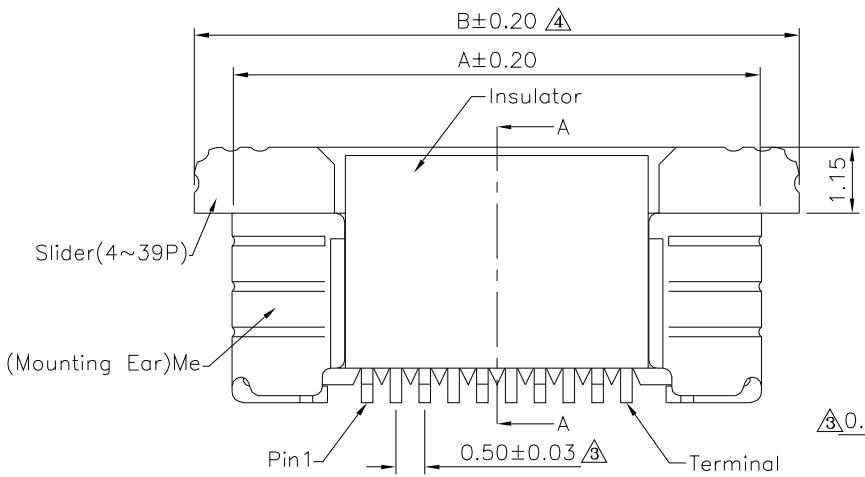


△△△ SPECIFICATION

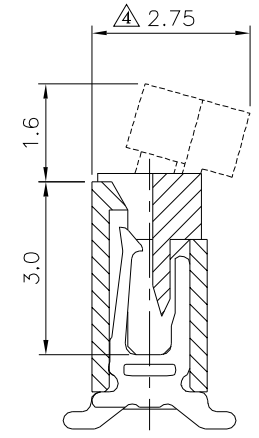
1. Material&Finish:
 Insulator:PA9T(UL94V-0),Ivory
 Slider:PPS(UL94V-0),Black
 Terminal:Phosphor Bronze,Tin Plated Over Nickel
 Me:Brass,Tin Plated Over Nickel
2. Electrical Characteristics:
 Operation Voltage:50V Max.
 Current Rating:0.5 Amp Max.
 Contact Resistance:20 Milliohms Max.
 Insulation Resistance:50 Megaohms Min.
 Dielectric Withstanding Voltage:250V AC RMS.
- △ 3. Environmental Characteristics:
 Operation Temperature:-40°C~+105°C
4. RoHS Compliant



△△△ Recommended PCB Layout



△ 4~39 Pin



△ Section A-A

4UCON 元化興業股份有限公司
 4UCON TECHNOLOGY INC.

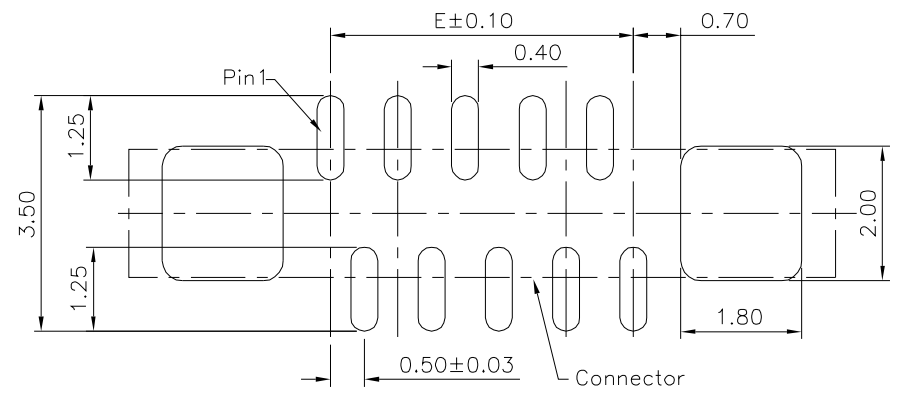
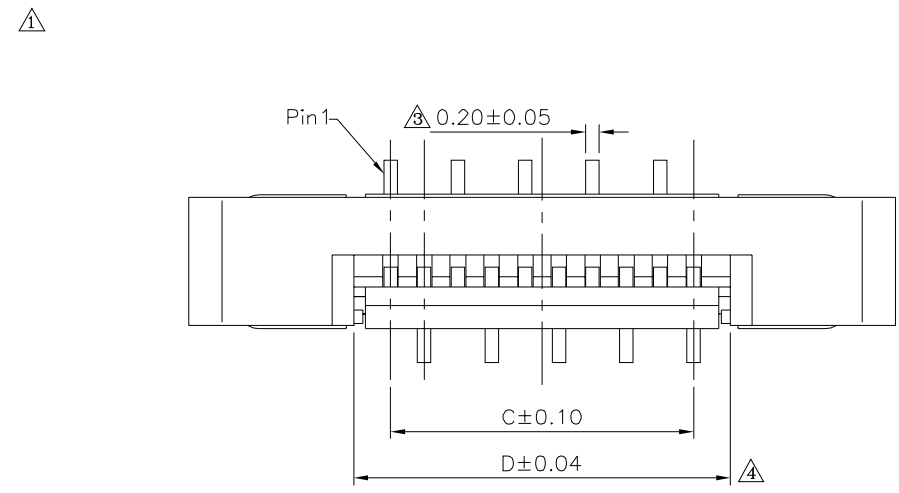
DRAWING No. △△△
 14698

APPROVED BY MEI
 CHECKED BY HZF
 DRAWING BY CYP

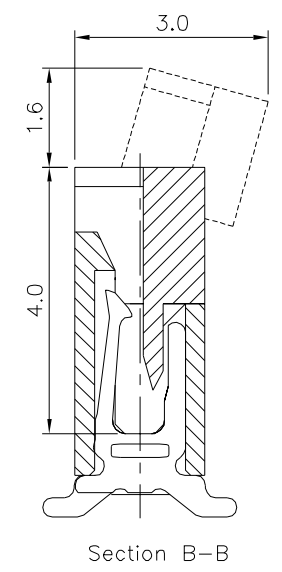
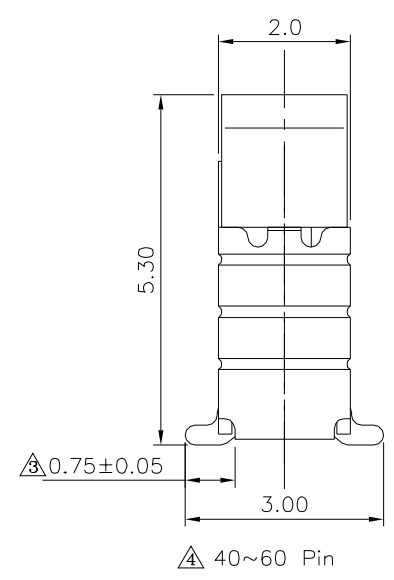
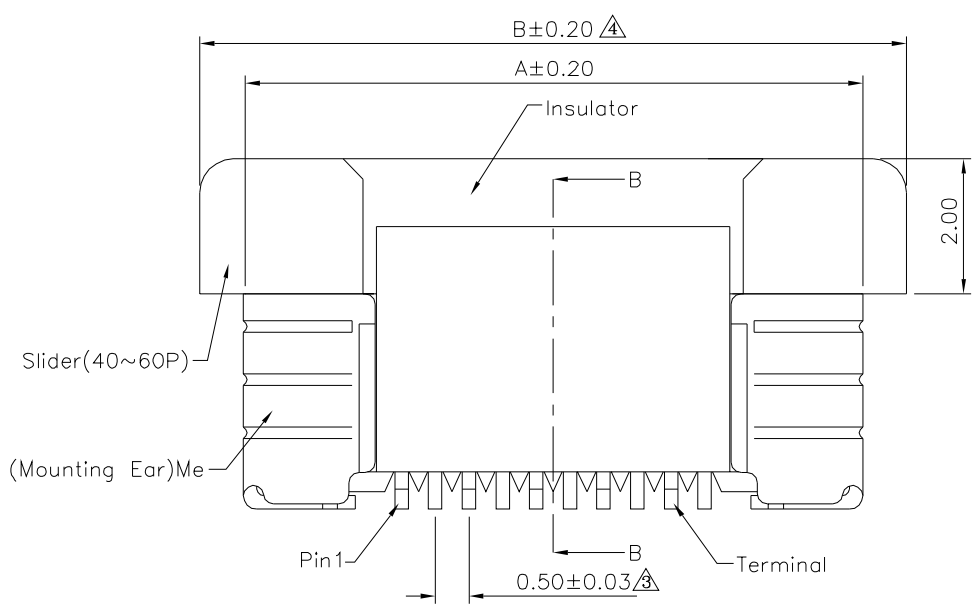
UNLESS OTHERWISE SPECIFIED TOLERANCES ARE
 .X ±0.35
 .XX ±0.20
 ANG.

SCALE NONE REV. A4 UNIT mm

| | | | |
|----------|-------------|-----|------------|
| △ A4 | Modify Data | HZF | 03/19/2020 |
| △ A3 | Modify Data | HZF | 12/05/2014 |
| △ A2 | Modify Data | HZF | 11/11/2011 |
| △ A1 | Modify Data | HZF | 05/19/2009 |
| △ A0 | NEW RELEASE | HZF | 01/26/2007 |
| NO. REV. | REVISIONS | CHK | DATE |



\triangle Recommended PCB Layout



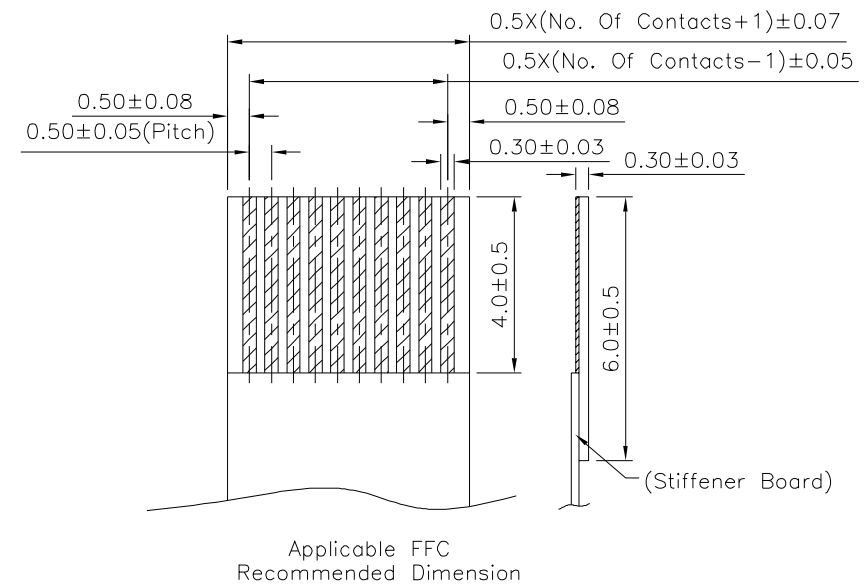
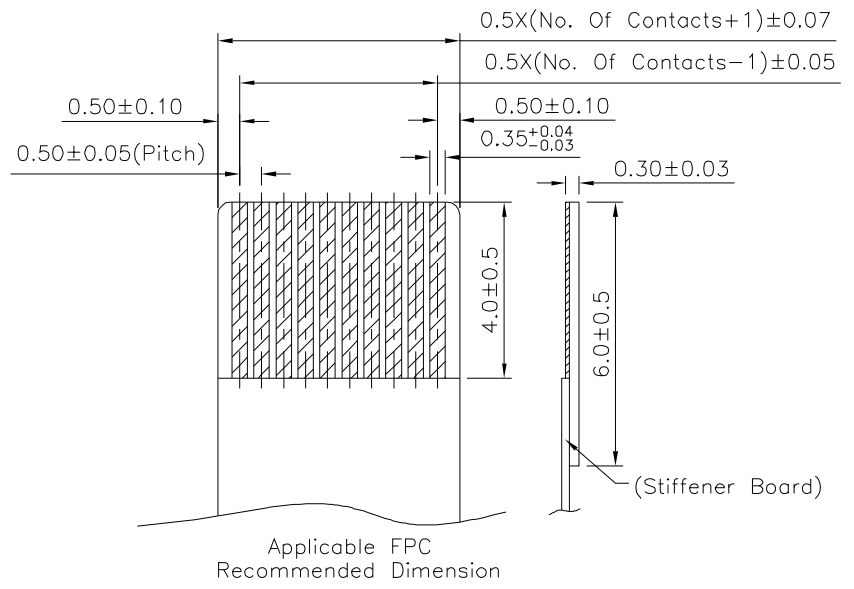
4UCON 元化興業股份有限公司
 4UCON TECHNOLOGY INC.

DRAWING No. \triangle
 14698
 SCALE NONE

APPROVED BY MEI
 CHECKED BY HZF
 DRAWING BY CYP
 REV. A4

UNLESS OTHERWISE SPECIFIED TOLERANCES ARE
 $.X \pm 0.35$
 $.XX \pm 0.20$
 ANG.
 UNIT mm

| | | | |
|----------------|-------------|-----|------------|
| \triangle A4 | Modify Data | HZF | 03/19/2020 |
| \triangle A3 | Modify Data | HZF | 12/05/2014 |
| \triangle A2 | Modify Data | HZF | 11/11/2011 |
| \triangle A1 | Modify Data | HZF | 05/19/2009 |
| \triangle A0 | NEW RELEASE | HZF | 01/26/2007 |
| NO. REV. | REVISIONS | CHK | DATE |



| Pin | A | B | C | D | E |
|-----|-------|-------|-------|-------|-------|
| 4 | 6.20 | 7.50 | 1.50 | 2.62 | 1.50 |
| 5 | 6.70 | 8.00 | 2.00 | 3.12 | 2.00 |
| 6 | 7.20 | 8.50 | 2.50 | 3.62 | 2.50 |
| 7 | 7.70 | 9.00 | 3.00 | 4.12 | 3.00 |
| 8 | 8.20 | 9.50 | 3.50 | 4.62 | 3.50 |
| 9 | 8.70 | 10.00 | 4.00 | 5.12 | 4.00 |
| 10 | 9.20 | 10.50 | 4.50 | 5.62 | 4.50 |
| 11 | 9.70 | 11.00 | 5.00 | 6.12 | 5.00 |
| 12 | 10.20 | 11.50 | 5.50 | 6.62 | 5.50 |
| 13 | 10.70 | 12.00 | 6.00 | 7.12 | 6.00 |
| 14 | 11.20 | 12.50 | 6.50 | 7.62 | 6.50 |
| 15 | 11.70 | 13.00 | 7.00 | 8.12 | 7.00 |
| 16 | 12.20 | 13.50 | 7.50 | 8.62 | 7.50 |
| 17 | 12.70 | 14.00 | 8.00 | 9.12 | 8.00 |
| 18 | 13.20 | 14.50 | 8.50 | 9.62 | 8.50 |
| 19 | 13.70 | 15.00 | 9.00 | 10.12 | 9.00 |
| 20 | 14.20 | 15.50 | 9.50 | 10.62 | 9.50 |
| 21 | 14.70 | 16.00 | 10.00 | 11.12 | 10.00 |
| 22 | 15.20 | 16.50 | 10.50 | 11.62 | 10.50 |
| 23 | 15.70 | 17.00 | 11.00 | 12.12 | 11.00 |
| 24 | 16.20 | 17.50 | 11.50 | 12.62 | 11.50 |
| 25 | 16.70 | 18.00 | 12.00 | 13.12 | 12.00 |
| 26 | 17.20 | 18.50 | 12.50 | 13.62 | 12.50 |
| 27 | 17.70 | 19.00 | 13.00 | 14.12 | 13.00 |
| 28 | 18.20 | 19.50 | 13.50 | 14.62 | 13.50 |
| 29 | 18.70 | 20.00 | 14.00 | 15.12 | 14.00 |
| 30 | 19.20 | 20.50 | 14.50 | 15.62 | 14.50 |
| 31 | 19.70 | 21.00 | 15.00 | 16.12 | 15.00 |
| 32 | 20.20 | 21.50 | 15.50 | 16.62 | 15.50 |
| 33 | 20.70 | 22.00 | 16.00 | 17.12 | 16.00 |
| 34 | 21.20 | 22.50 | 16.50 | 17.62 | 16.50 |
| 35 | 21.70 | 23.00 | 17.00 | 18.12 | 17.00 |
| 36 | 22.20 | 23.50 | 17.50 | 18.62 | 17.50 |
| 37 | 22.70 | 24.00 | 18.00 | 19.12 | 18.00 |
| 38 | 23.20 | 24.50 | 18.50 | 19.62 | 18.50 |
| 39 | 23.70 | 25.00 | 19.00 | 20.12 | 19.00 |
| 40 | 24.20 | 25.50 | 19.50 | 20.62 | 19.50 |
| 41 | 24.70 | 26.00 | 20.00 | 21.12 | 20.00 |
| 42 | 25.20 | 26.50 | 20.50 | 21.62 | 20.50 |
| 43 | 25.70 | 27.00 | 21.00 | 22.12 | 21.00 |
| 44 | 26.20 | 27.50 | 21.50 | 22.62 | 21.50 |
| 45 | 26.70 | 28.00 | 22.00 | 23.12 | 22.00 |
| 46 | 27.20 | 28.50 | 22.50 | 23.62 | 22.50 |
| 47 | 27.70 | 29.00 | 23.00 | 24.12 | 23.00 |
| 48 | 28.20 | 29.50 | 23.50 | 24.62 | 23.50 |
| 49 | 28.70 | 30.00 | 24.00 | 25.12 | 24.00 |
| 50 | 29.20 | 30.50 | 24.50 | 25.62 | 24.50 |
| 51 | 29.70 | 31.00 | 25.00 | 26.12 | 25.00 |
| 52 | 30.20 | 31.50 | 25.50 | 26.62 | 25.50 |
| 53 | 30.70 | 32.00 | 26.00 | 27.12 | 26.00 |
| 54 | 31.20 | 32.50 | 26.50 | 27.62 | 26.50 |
| 55 | 31.70 | 33.00 | 27.00 | 28.12 | 27.00 |
| 56 | 32.20 | 33.50 | 27.50 | 28.62 | 27.50 |
| 57 | 32.70 | 34.00 | 28.00 | 29.12 | 28.00 |
| 58 | 33.20 | 34.50 | 28.50 | 29.62 | 28.50 |
| 59 | 33.70 | 35.00 | 29.00 | 30.12 | 29.00 |
| 60 | 34.20 | 35.50 | 29.50 | 30.62 | 29.50 |

△

△ The All Numbers Tooled Ready

4UCON 元化興業股份有限公司
4UCON TECHNOLOGY INC.

| | | | | |
|--------------------------|------|--------------------|----|--|
| DRAWING No. 14698 | | APPROVED BY MEI | | UNLESS OTHERWISE SPECIFIED TOLERANCES ARE .X ±0.35 .XX ±0.20 ANG. |
| | | CHECKED BY HZF | | |
| | | DRAWING BY CYP | | |
| SCALE | NONE | REV. | A4 | UNIT mm |

| | | | |
|----------|-------------|-----|------------|
| △ A4 | Modify Data | HZF | 03/19/2020 |
| △ A3 | Modify Data | HZF | 12/05/2014 |
| △ A2 | Modify Data | HZF | 11/11/2011 |
| △ A1 | Modify Data | HZF | 05/19/2009 |
| △ A0 | NEW RELEASE | HZF | 01/26/2007 |
| NO. REV. | REVISIONS | CHK | DATE |