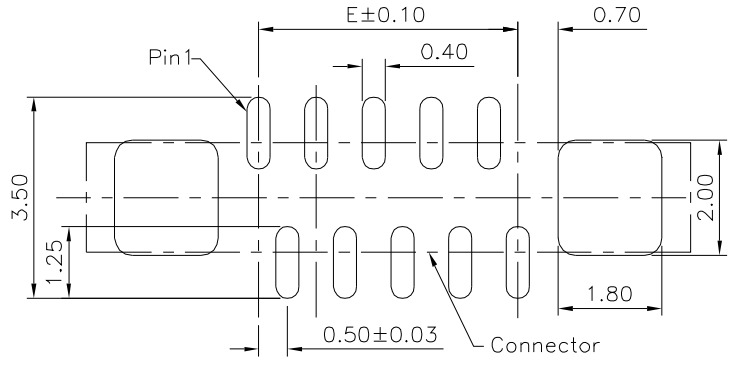
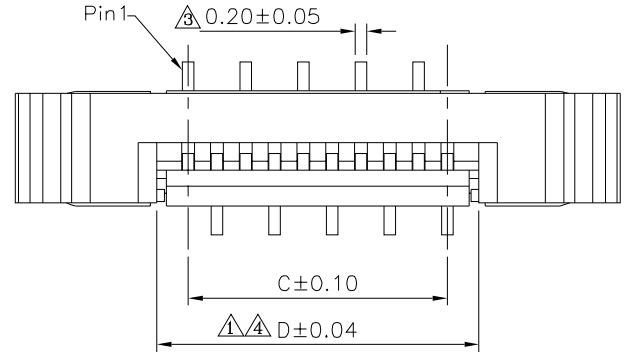
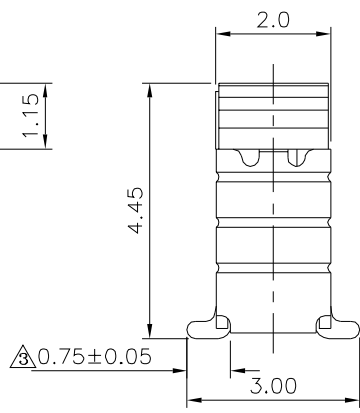
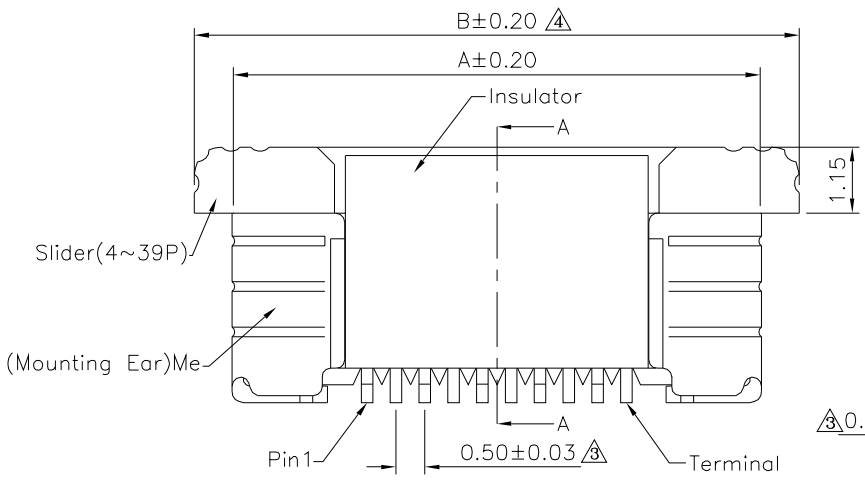


△△△ SPECIFICATION

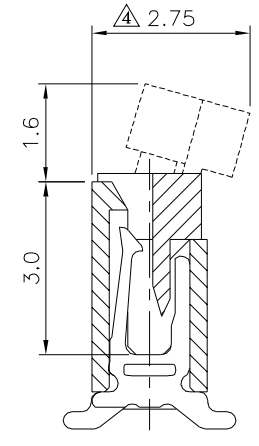
- 1. Material&Finish:
 Insulator:PA9T(UL94V-0),Ivory
 Slider:PPS(UL94V-0),Black
 Terminal:Phosphor Bronze,Tin Plated Over Nickel
 Me:Brass,Tin Plated Over Nickel
- 2. Electrical Characteristics:
 Operation Voltage:50V Max.
 Current Rating:0.5 Amp Max.
 Contact Resistance:20 Milliohms Max.
 Insulation Resistance:50 Megaohms Min.
 Dielectric Withstanding Voltage:250V AC RMS.
- △ 3. Environmental Characteristics:
 Operation Temperature:-40°C~+105°C
- 4. RoHS Compliant



△△△ Recommended PCB Layout



△ 4~39 Pin



△ Section A-A

4UCON 元化興業股份有限公司
 4UCON TECHNOLOGY INC.

DRAWING No. △△△

14702

APPROVED BY MEI
 CHECKED BY HZF
 DRAWING BY CYP

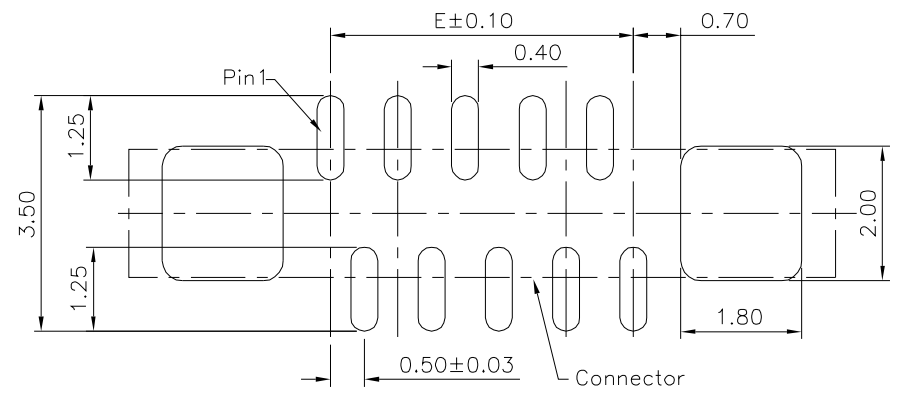
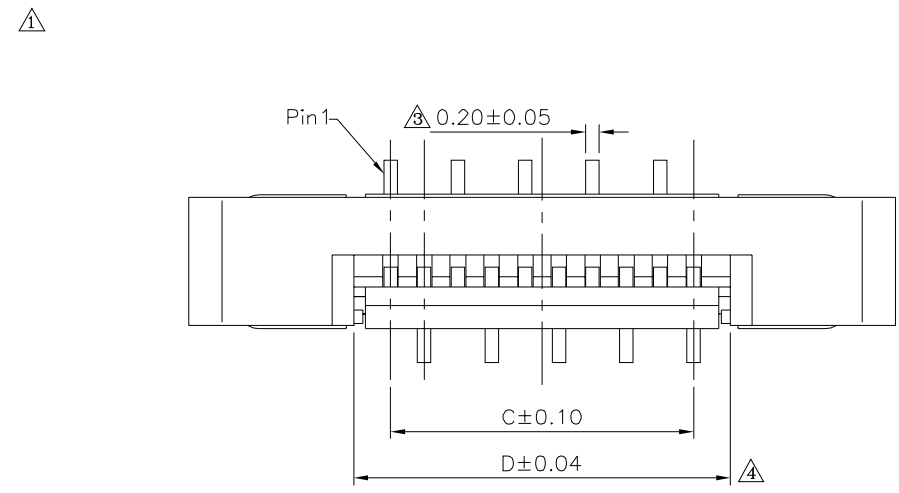
UNLESS OTHERWISE SPECIFIED TOLERANCES ARE
 .X ±0.35
 .XX ±0.20
 ANG.

SCALE NONE

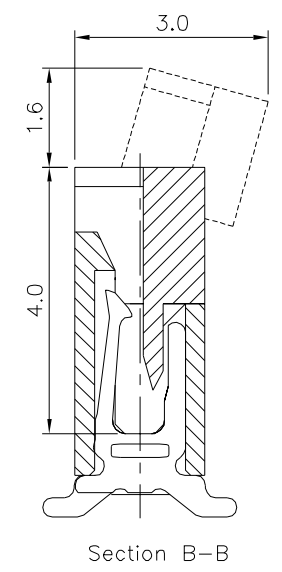
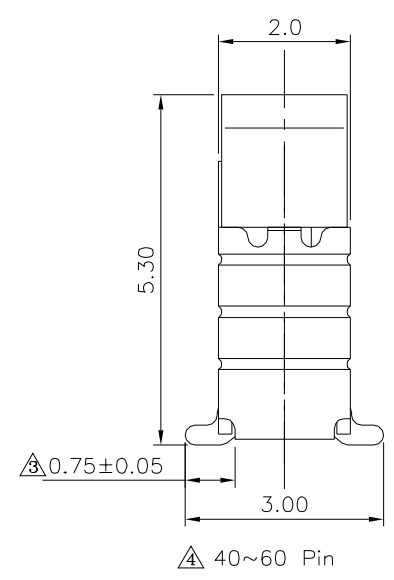
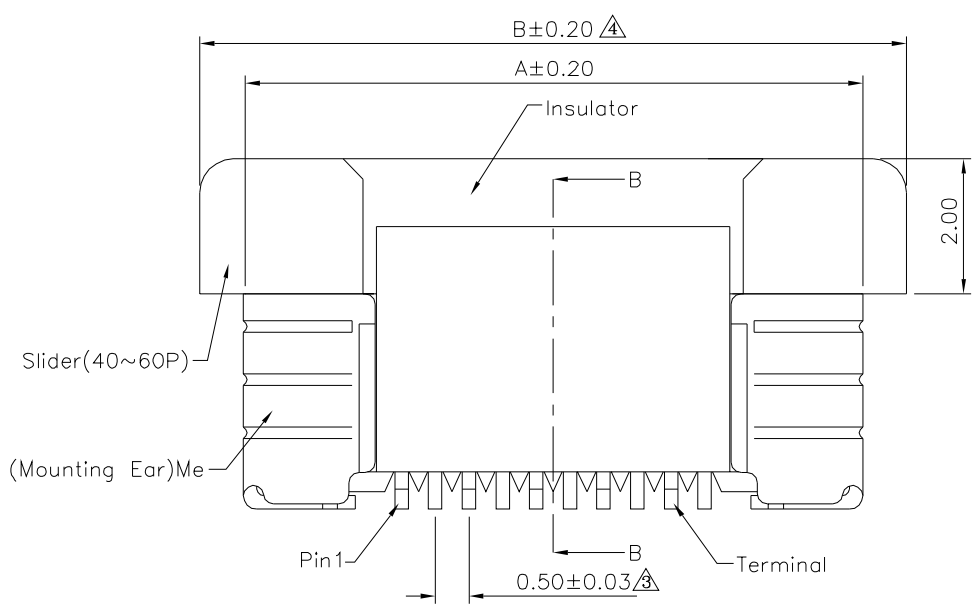
REV. A4

UNIT mm

△ A4	Modify Data	HZF	03/19/2020
△ A3	Modify Data	HZF	12/05/2014
△ A2	Modify Data	HZF	11/11/2011
△ A1	Modify Data	HZF	05/19/2009
△ A0	NEW RELEASE	HZF	01/26/2007
NO. REV.	REVISIONS	CHK	DATE



\triangle Recommended PCB Layout



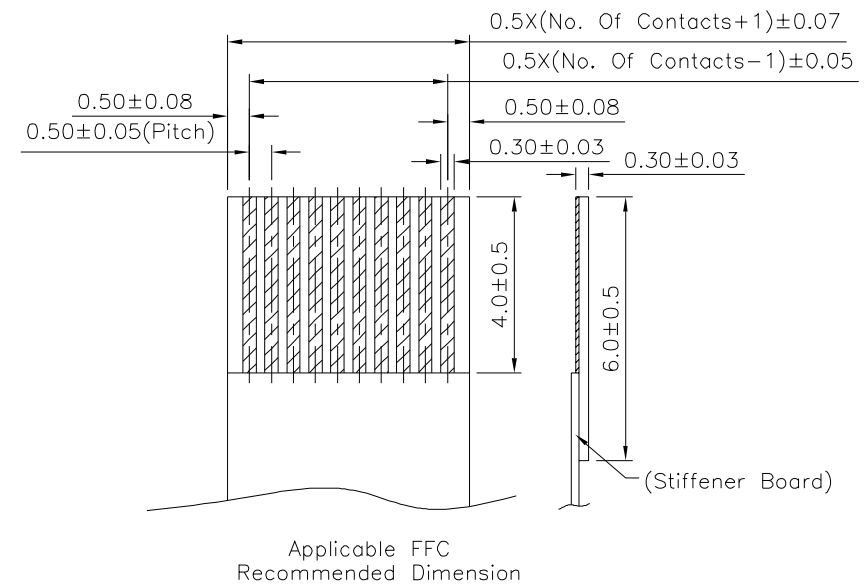
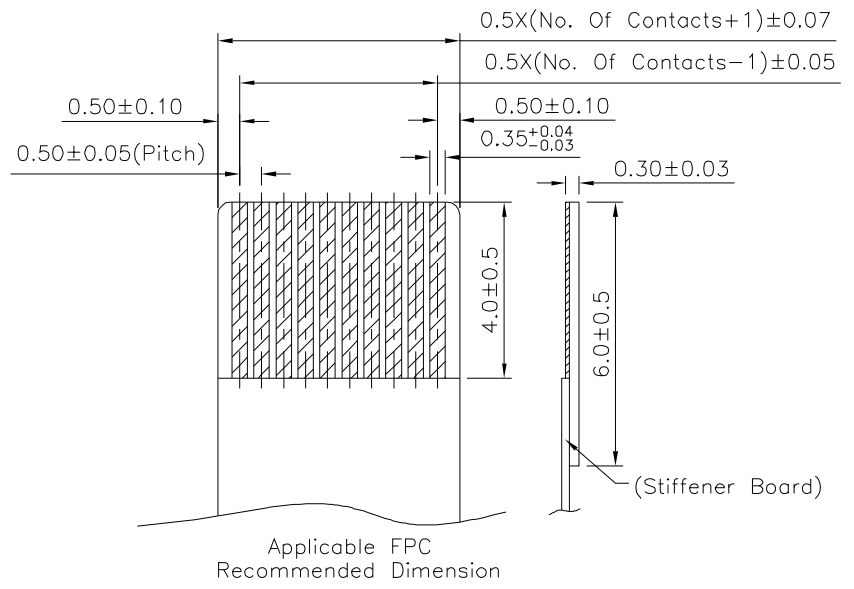
4UCON 元化興業股份有限公司
4UCON TECHNOLOGY INC.

DRAWING No. \triangle
14702
SCALE NONE

APPROVED BY MEI
CHECKED BY HZF
DRAWING BY CYP
REV. A4

UNLESS OTHERWISE SPECIFIED TOLERANCES ARE
.X ± 0.35
.XX ± 0.20
ANG.
UNIT mm

\triangle A4	Modify Data	HZF	03/19/2020
\triangle A3	Modify Data	HZF	12/05/2014
\triangle A2	Modify Data	HZF	11/11/2011
\triangle A1	Modify Data	HZF	05/19/2009
\triangle A0	NEW RELEASE	HZF	01/26/2007
NO. REV.	REVISIONS	CHK	DATE



Pin	A	B	C	D	E
4	6.20	7.50	1.50	2.62	1.50
5	6.70	8.00	2.00	3.12	2.00
6	7.20	8.50	2.50	3.62	2.50
7	7.70	9.00	3.00	4.12	3.00
8	8.20	9.50	3.50	4.62	3.50
9	8.70	10.00	4.00	5.12	4.00
10	9.20	10.50	4.50	5.62	4.50
11	9.70	11.00	5.00	6.12	5.00
12	10.20	11.50	5.50	6.62	5.50
13	10.70	12.00	6.00	7.12	6.00
14	11.20	12.50	6.50	7.62	6.50
15	11.70	13.00	7.00	8.12	7.00
16	12.20	13.50	7.50	8.62	7.50
17	12.70	14.00	8.00	9.12	8.00
18	13.20	14.50	8.50	9.62	8.50
19	13.70	15.00	9.00	10.12	9.00
20	14.20	15.50	9.50	10.62	9.50
21	14.70	16.00	10.00	11.12	10.00
22	15.20	16.50	10.50	11.62	10.50
23	15.70	17.00	11.00	12.12	11.00
24	16.20	17.50	11.50	12.62	11.50
25	16.70	18.00	12.00	13.12	12.00
26	17.20	18.50	12.50	13.62	12.50
27	17.70	19.00	13.00	14.12	13.00
28	18.20	19.50	13.50	14.62	13.50
29	18.70	20.00	14.00	15.12	14.00
30	19.20	20.50	14.50	15.62	14.50
31	19.70	21.00	15.00	16.12	15.00
32	20.20	21.50	15.50	16.62	15.50
33	20.70	22.00	16.00	17.12	16.00
34	21.20	22.50	16.50	17.62	16.50
35	21.70	23.00	17.00	18.12	17.00
36	22.20	23.50	17.50	18.62	17.50
37	22.70	24.00	18.00	19.12	18.00
38	23.20	24.50	18.50	19.62	18.50
39	23.70	25.00	19.00	20.12	19.00
40	24.20	25.50	19.50	20.62	19.50
41	24.70	26.00	20.00	21.12	20.00
42	25.20	26.50	20.50	21.62	20.50
43	25.70	27.00	21.00	22.12	21.00
44	26.20	27.50	21.50	22.62	21.50
45	26.70	28.00	22.00	23.12	22.00
46	27.20	28.50	22.50	23.62	22.50
47	27.70	29.00	23.00	24.12	23.00
48	28.20	29.50	23.50	24.62	23.50
49	28.70	30.00	24.00	25.12	24.00
50	29.20	30.50	24.50	25.62	24.50
51	29.70	31.00	25.00	26.12	25.00
52	30.20	31.50	25.50	26.62	25.50
53	30.70	32.00	26.00	27.12	26.00
54	31.20	32.50	26.50	27.62	26.50
55	31.70	33.00	27.00	28.12	27.00
56	32.20	33.50	27.50	28.62	27.50
57	32.70	34.00	28.00	29.12	28.00
58	33.20	34.50	28.50	29.62	28.50
59	33.70	35.00	29.00	30.12	29.00
60	34.20	35.50	29.50	30.62	29.50

△

△ The All Numbers Tooled Ready

4UCON 元化興業股份有限公司
4UCON TECHNOLOGY INC.

DRAWING No. 14702		APPROVED BY MEI		UNLESS OTHERWISE SPECIFIED TOLERANCES ARE .X ±0.35 .XX ±0.20 ANG.
		CHECKED BY HZF		
		DRAWING BY CYP		
SCALE	NONE	REV.	A4	UNIT mm

△ A4	Modify Data	HZF	03/19/2020
△ A3	Modify Data	HZF	12/05/2014
△ A2	Modify Data	HZF	11/11/2011
△ A1	Modify Data	HZF	05/19/2009
△ A0	NEW RELEASE	HZF	01/26/2007
NO. REV.	REVISIONS	CHK	DATE