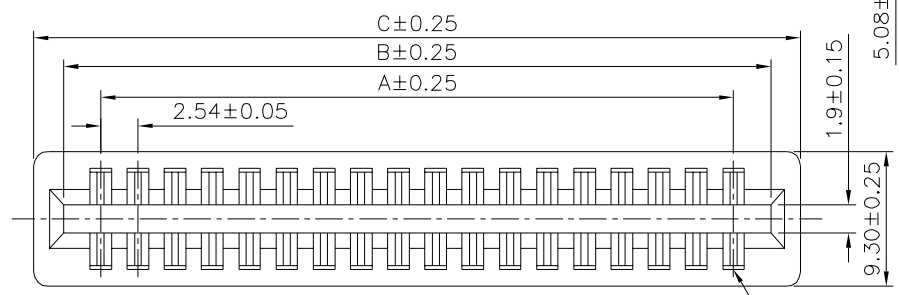
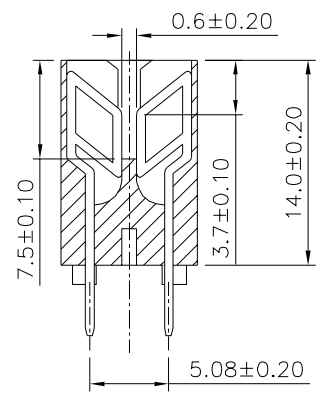
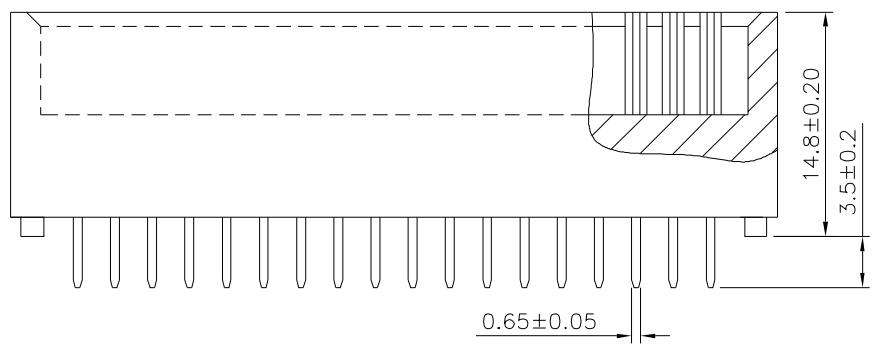


**SPECIFICATION**  
 Current Rating:3A  
 Dielectric Withstanding Voltage:1000V AC/1 Minute  
 ⚠ Operation Temperature:-55°C~+105°C  
 Insulation Resistance:5000 Megaohms Min. At 500V DC  
 Contact Resistance:20 Milliohms Max.  
 Insertion Force:340g Max. Per Pair  
 Withdrawal Force:28g Min. Per Pair  
 Insulator:PBT+G.F.(UL94V-0)  
 Contact:Brass  
 Mating Area:Gold Plated Over Nickel  
 Solder Area:Tin Plated Over Nickel  
 RoHS Compliant



Pin	A	B	C	Pin	A	B	C
06	5.08	10.66	14.22	44	53.34	58.92	62.48
08	7.62	13.20	16.76	46	55.88	61.46	65.02
10	10.16	15.74	19.30	48	58.42	64.00	67.56
12	12.70	18.28	21.84	50	60.96	66.54	70.10
14	15.24	20.82	24.38	52	63.50	69.08	72.64
16	17.78	23.36	26.92	54	66.04	71.62	75.18
18	20.32	25.90	29.46	56	68.58	74.16	77.72
20	22.86	28.44	32.00	58	71.12	76.70	80.26
22	25.40	30.98	34.54	60	73.66	79.24	82.80
24	27.94	33.52	37.08	62	76.20	81.78	85.34
26	30.48	36.06	39.62	64	78.74	84.32	87.88
28	33.02	38.60	42.16	66	81.28	86.86	90.42
30	35.56	41.14	44.70	68	83.82	89.40	92.96
32	38.10	43.68	47.24	70	86.36	91.94	95.50
34	40.64	46.22	49.78	72	88.90	94.48	98.04
36	43.18	48.76	52.32	80	99.06	104.64	108.20
38	45.72	51.30	54.86	86	106.68	112.26	115.82
40	48.26	53.84	57.40	100	124.46	130.04	133.60
42	50.80	56.38	59.94	120	149.86	155.44	159.00



**4UCON** 元化興業股份有限公司  
 4UCON TECHNOLOGY INC.

DRAWING No.		APPROVED BY		UNLESS OTHERWISE SPECIFIED TOLERANCES ARE .X ±0.38 .XX ±0.25 ANG.
14805		MEI		
		CHECKED BY HZF		
		DRAWING BY CYP		UNIT mm
SCALE	NONE	REV.	C1	

NO.	REV.	REVISIONS	CHK	DATE
⚠	C1	Modify Data	HZF	04/18/2018
⚠	C0	NEW RELEASE	HZF	11/21/2013