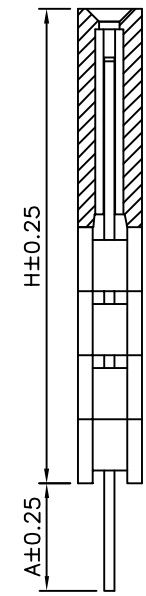
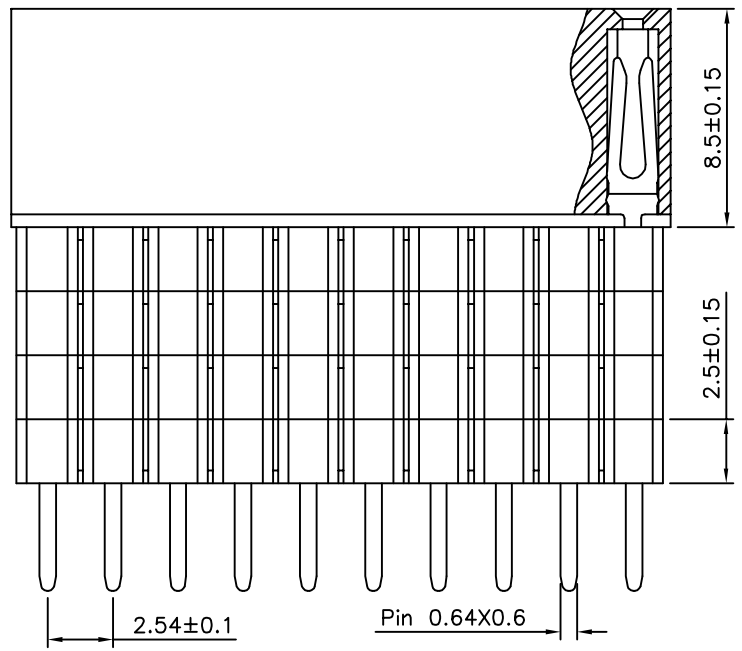
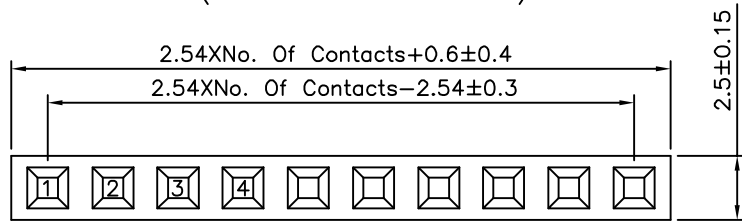


Recommended P.C.B. Layout (Top View)
(PCB Board Tolerance ±0.05)



SPECIFICATION
 Current Rating: 3A
 Withstand Voltage: 1000V AC
 Contact Resistance: 20 Milliohms Max.
 Insulation Resistance: 1000 Megaohms Min.
 Operating Temperature: -40°C ~ +105°C
 Insulator: PA6T(UL94V-0), Black
 Contact: Brass, Gold Flash Over Nickel
 RoHS Compliant

Series No.	Plastic Q'ty	H	A
0196	1	11.00	2.30
0196	1	11.00	7.00
0196	1	11.00	12.30
0197	2	13.50	4.50
0197	2	13.50	9.80
0198	3	16.00	2.00
0198	3	16.00	7.30
0199	4	18.50	4.80

4UCON 元化興業股份有限公司
4UCON TECHNOLOGY INC.

DRAWING No. 15303
 APPROVED BY EMILY
 CHECKED BY HZF
 DRAWING BY HAO
 SCALE NONE REV. A0

UNLESS OTHERWISE SPECIFIED TOLERANCES ARE
 X ±0.25 X* ±0.25
 .X ±0.20 .X* ±0.20
 .XX ±0.15 .XX* ±0.15
 .XXX ±0.10 .XXX* ±0.10

NO.	REV.	DESCRIPTION	CHK	DATE
△A0		NEW RELEASE	HZF	12/11/2014
		REVISIONS		