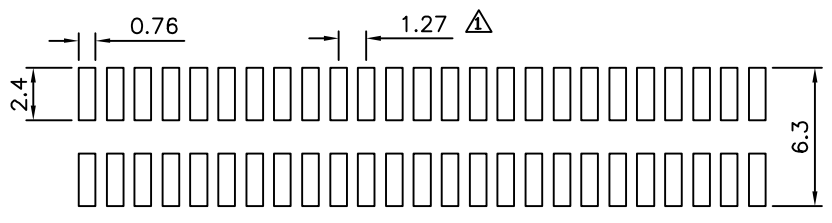
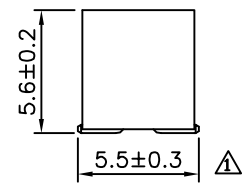
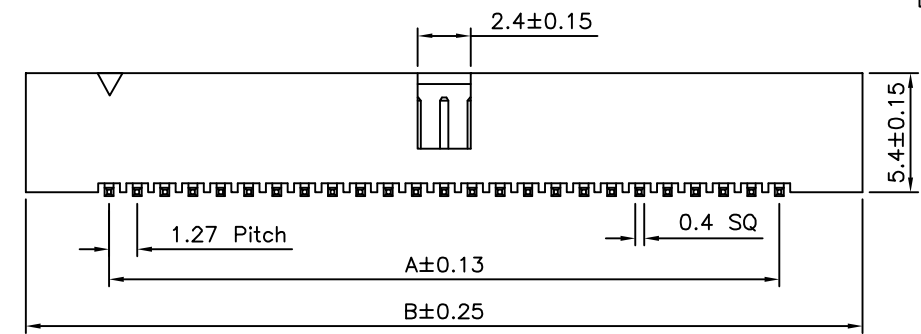
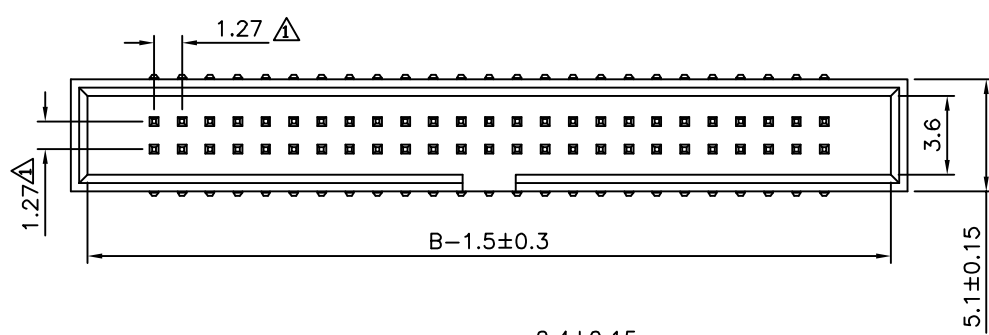
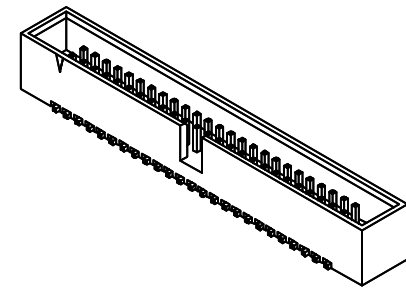


SPECIFICATION

△ Insulator: LCP, Black
 Contact: Brass, Gold Plated Over Nickel
 RoHS Compliant



P.C.Board Layout



△ Circuits	A	B
6	2.54	10.11
8	3.81	11.38
10	5.08	12.65
12	6.35	13.92
14	7.62	15.19
16	8.89	16.46
20	11.43	19.00
24	13.97	21.54
26	15.24	22.81
30	17.78	25.35
34	20.32	27.89
40	24.13	31.70
44	26.67	34.24
50	30.48	38.05
60	36.83	44.40
64	39.37	46.94
68	41.91	49.48
80	49.53	57.10
100	62.23	68.90

4UCON 元化興業股份有限公司
 4UCON TECHNOLOGY INC.

DRAWING No.		APPROVED BY		UNLESS OTHERWISE SPECIFIED TOLERANCES ARE .X ±0.38 .XX ±0.25 ANG.	△ A4	Modify Data	HZF	03/13/2014	
15491		EMILY			△ A3	Modify Data	HZF	10/05/2011	
		CHECKED BY			△ A2	Add 8 Pin	HZF	05/18/2011	
		HZF		△ A1	Modify Data	HZF	11/26/2009		
		DRAWING BY		△ A0	NEW RELEASE	BECKY	11/18/2004		
SCALE	NONE	REV.	A4	UNIT	mm	NO. REV.	REVISIONS	CHK	DATE