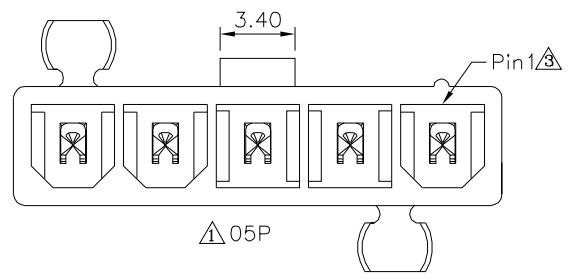
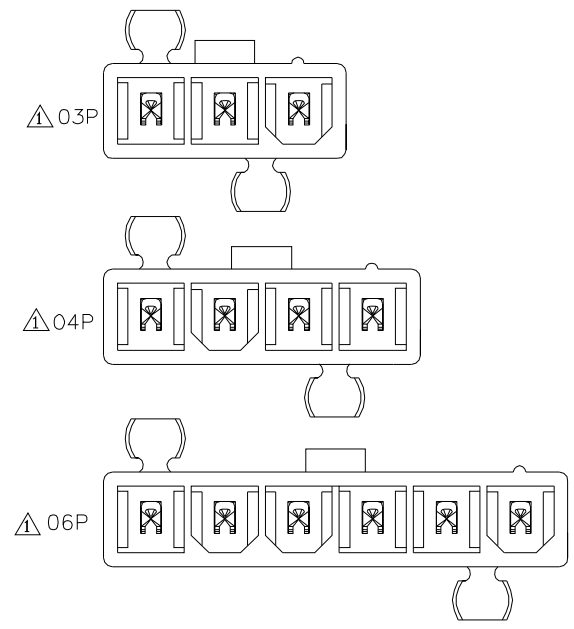
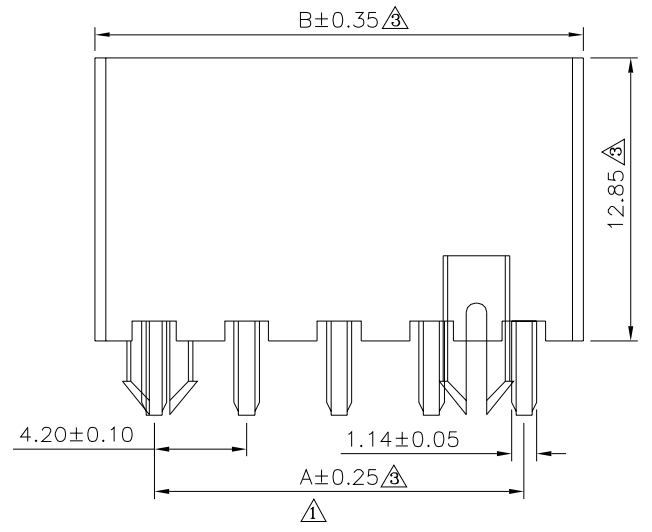


Recommended P.C.B. Layout



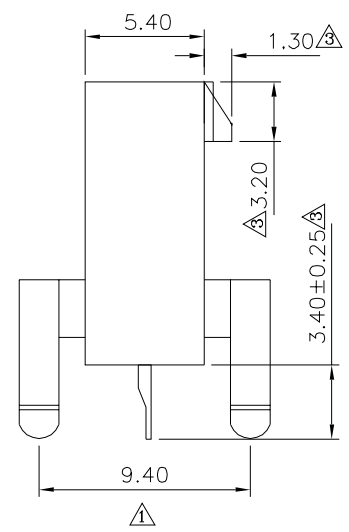
05P



03P

04P

06P



△ SPECIFICATION
 Current Rating:7A AC/DC
 Voltage Rating:600V AC/DC
 Withstanding Voltage:1500V AC/Minute
 Insulation Resistance:1000 Megaohms Min.
 Contact Resistance:20 Milliohms Max.
 Temperature Range:-25°C~+85°C
△ Insulator:PA66,UL94V-2,Nature Color
 Contact:Brass,Tin Plated Over Nickel
 RoHS Compliant

Pin	A	B
03	8.40	13.80
04	12.60	18.00
05	16.80	22.20
06	21.00	26.40

4UCON 元化興業股份有限公司
 4UCON TECHNOLOGY INC.

DRAWING No. 15501		APPROVED BY MEI		UNLESS OTHERWISE SPECIFIED TOLERANCES ARE X. ±0.30 XX ±0.25 XXX ±0.20 ANG. ±1°
		CHECKED BY HZF		
		DRAWING BY CYP		
SCALE	NONE	REV.	A3	UNIT mm

NO.	REV.	REVISIONS	CHK	DATE
△3	A3	Modify Data	HZF	07/02/2020
△2	A2	Modify Data	HZF	01/03/2017
△1	A1	Modify Data	HZF	05/10/2016
△0	A0	NEW RELEASE	HZF	12/03/2012