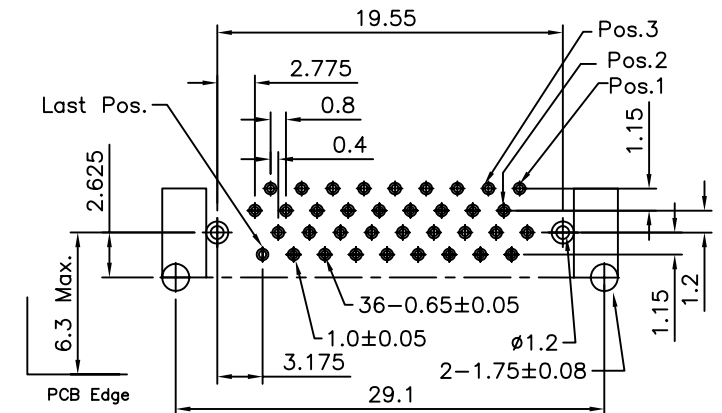
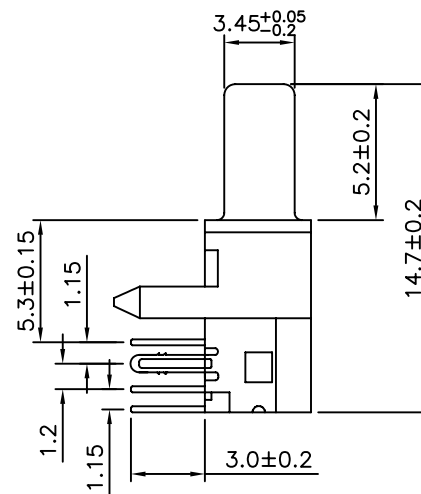
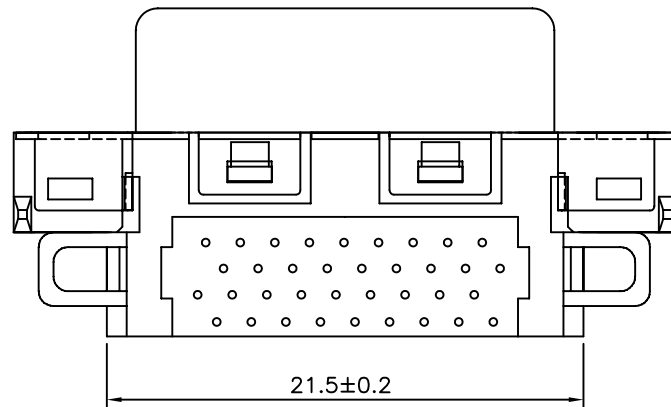
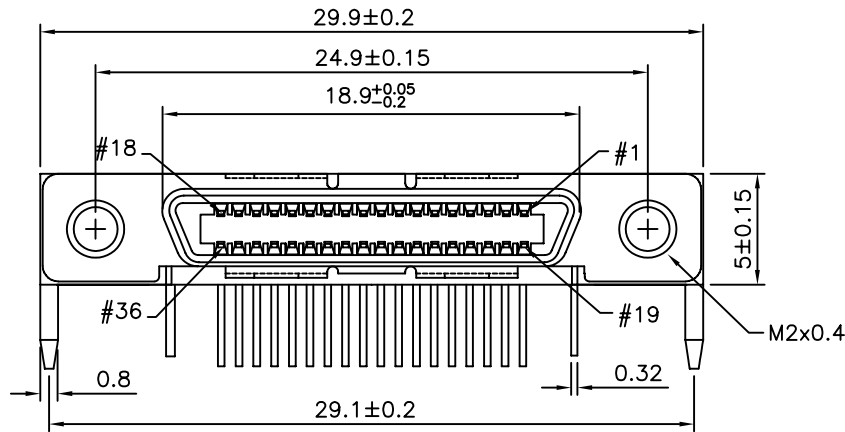


SPECIFICATIONS

Current Rating: 0.5 Amp
 Dielectric Withstanding Voltage: 250VAC
 Insulation Resistance: 500 Megohms Min.
 Contact Resistance: 80 Milliohms Max.
 Operation Temperature: -55°C To +85°C
 Contact: Phosphor Bronze
 30u" Min. Gold On Mating End
 120u" Min. Tin-Lead On Termination End
 All Underplated 50u" Min. Nickel
 Insulator: Thermoplastic, UL 94V-0
 Shell: Cold Roller Steel
 120u" Min. Nickel Over 80u" Min. Copper



Recommended PCB Layout

4UCON 元化興業股份有限公司
 4UCON TECHNOLOGY INC.

DRAWING No.

15669

APPROVED BY

MEI

CHECKED BY

BECKY

DRAWING BY

HZF

UNLESS OTHERWISE SPECIFIED

TOLERANCES ARE

.X ±0.38

.XX ±0.25

ANG.

SCALE

NONE

REV.

A0

UNIT
mm



NO. REV.

A0 NEW RELEASE

REVISIONS

CHK

12/13/2004

DATE