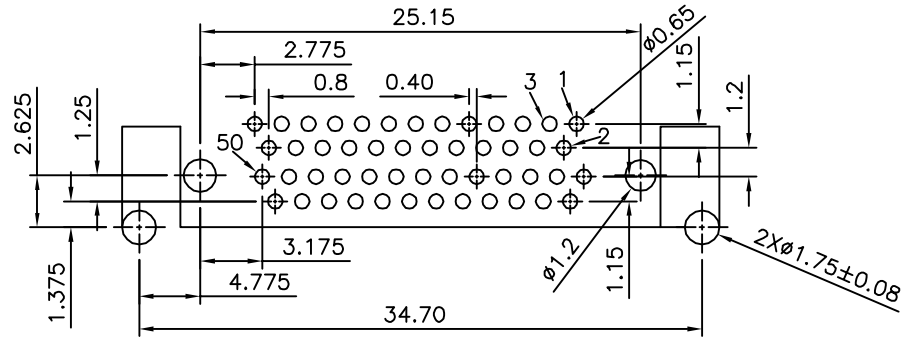
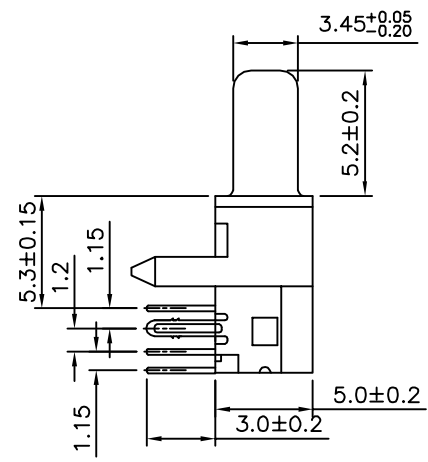
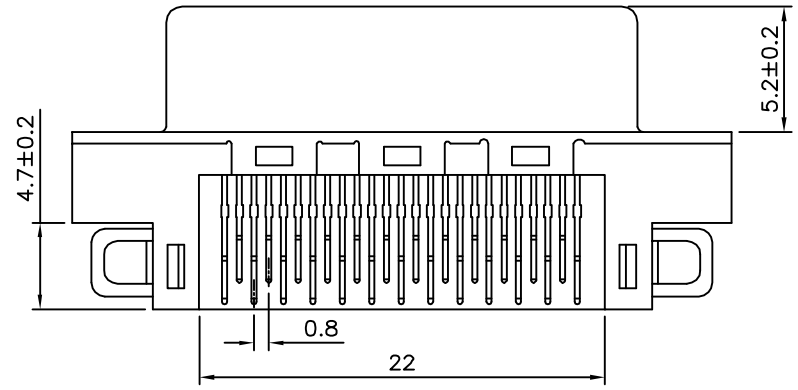
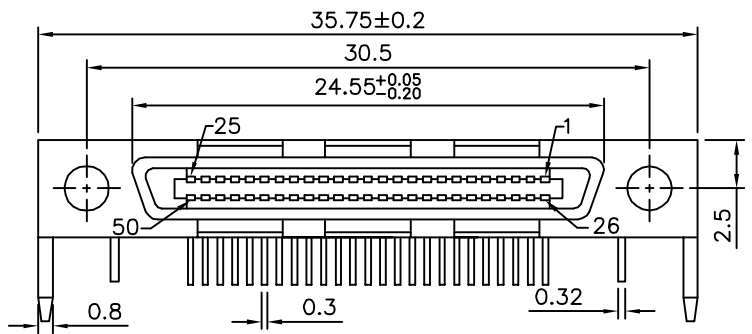


△SPECIFICATION

Current Rating:0.5 Amp
 Withstand Voltage:250V AC
 Contact Resistance:80 Milliohms Max.
 Insulation Resistance:500 Megaohms Min.
 Operation Temperature:-55°C~+85°C
 Insulator:PA9T(UL94V-0),Black
 Contact:Brass,Gold Plated 30u" On Contact Area
 Tin Plated On Solder Tails,Over Nickel
 Shell:Cold Roller Steel,Nickel Plated Over Copper
 RoHS Compliant



Recommended P.C.B. Layout



4UCON 元化興業股份有限公司
 4UCON TECHNOLOGY INC.

DRAWING No.		APPROVED BY		UNLESS OTHERWISE SPECIFIED TOLERANCES ARE .X ±0.38 .XX ±0.25 ANG.
15670		EMILY		
		CHECKED BY HZF		
		DRAWING BY GAO		
SCALE	NONE	REV.	A1	UNIT mm

NO.	REV.	REVISIONS	CHK	DATE
△ A1		Modify Data	HZF	12/13/2012
△ A0		NEW RELEASE	BECKY	12/13/2004