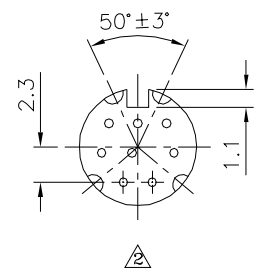
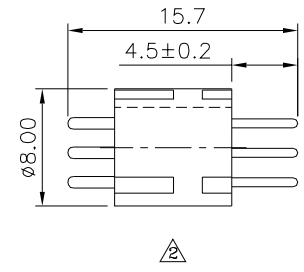
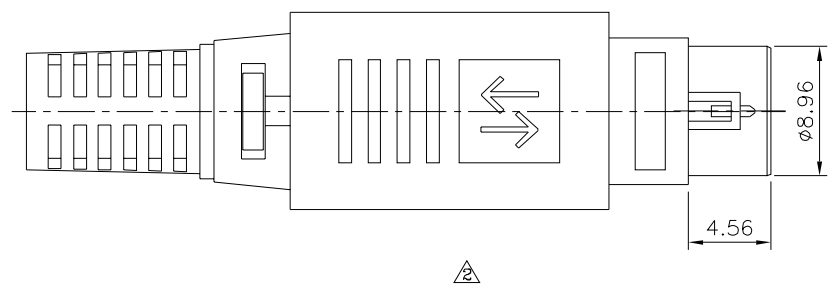
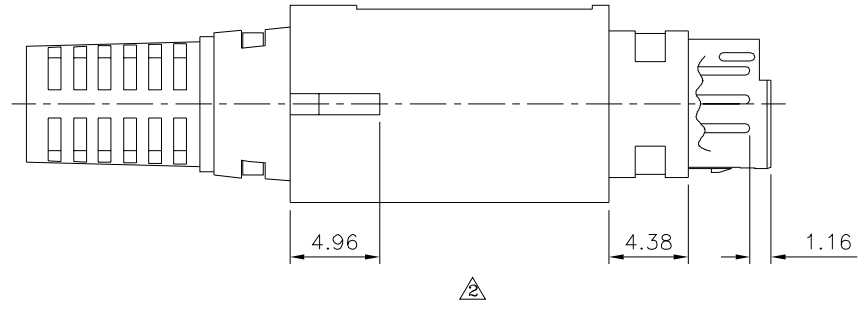


SPECIFICATION

Rating:100V AC Max. Or 12V DC 2A Max.
 Withstand Voltage:250V AC At 1 Minute
 Insulation Resistance:50 Megaohms Min. At 250V DC
 Plastic Cover:ABS
 Shell:Brass,Nickel Plated
 POM Ring:POM
 Housing:PBT,Black
 Pin:Brass,Gold Flash Over Nickel
 Spring:Steel,Nickel Plated
 Metal Cap:Brass,Tin Plated
 RoHS Compliant



4UCON 元化興業股份有限公司
 4UCON TECHNOLOGY INC.

DRAWING No. **15770**

APPROVED BY MEI
 CHECKED BY HZF
 DRAWING BY CYP

UNLESS OTHERWISE SPECIFIED TOLERANCES ARE
 .X ±0.1
 .XX ±0.05
 ANG.

SCALE NONE REV. A3

NO.	REV.	REVISIONS	CHK	DATE
3	A3	Modify Data	HZF	01/23/2018
2	A2	Modify Data	HZF	04/18/2013
1	A1	Modify Data	BECKY	07/22/2005
0	A0	NEW RELEASE	BECKY	12/23/2004

