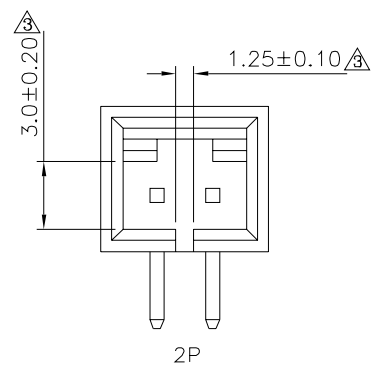
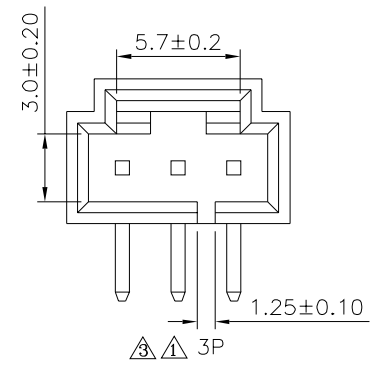


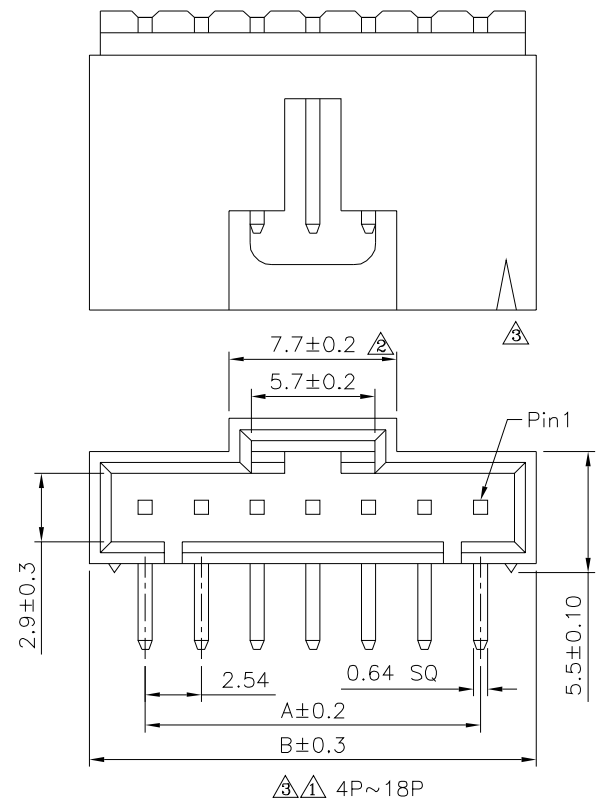
Recommended P.C.B. Layout  
Thickness=1.6mm



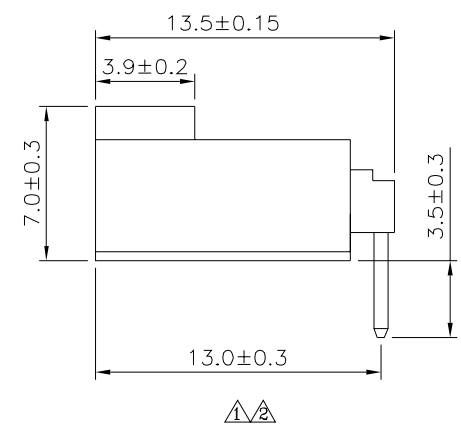
2P



3P



4P~18P



13P

**SPECIFICATION**  
 Current Rating:2.5A AC/DC  
 Voltage Rating:250V AC/DC  
 Insulation Resistance:1000 Megaohms Min.  
 Withstand Voltage:600V AC/Minute  
 Temperature Range:-25°C~+85°C  
 Insulator:PBT(UL94V-0),Black  
 ⚠ Contact:Brass,Gold Flash Over All,Over Nickel  
 RoHS Compliant

| Pin | A     | B     | Pin | A     | B     |
|-----|-------|-------|-----|-------|-------|
| 02  | 2.54  | 7.62  | 11  | 25.40 | 30.48 |
| 03  | 5.08  | 10.16 | 12  | 27.94 | 33.02 |
| 04  | 7.62  | 12.70 | 13  | 30.48 | 35.56 |
| 05  | 10.16 | 15.24 | 14  | 33.02 | 38.10 |
| 06  | 12.70 | 17.78 | 15  | 35.56 | 40.64 |
| 07  | 15.24 | 20.32 | 16  | 38.10 | 43.18 |
| 08  | 17.78 | 22.86 | 17  | 40.64 | 45.72 |
| 09  | 20.32 | 25.40 | 18  | 43.18 | 48.26 |
| 10  | 22.86 | 27.94 |     |       |       |

**4UCON** 元化興業股份有限公司  
4UCON TECHNOLOGY INC.

DRAWING No. 15775

APPROVED BY EMILY  
 CHECKED BY HZF  
 DRAWING BY HAO

SCALE NONE REV. B3

UNLESS OTHERWISE SPECIFIED TOLERANCES ARE  
 X. ±0.5  
 .X ±0.25  
 .XX ±0.2  
 .XXX ±0.08

UNIT mm

| NO. | REV. | REVISIONS   | CHK | DATE       |
|-----|------|-------------|-----|------------|
| B3  |      | Modify Data | HZF | 12/31/2020 |
| B2  |      | Modify Data | HZF | 02/06/2015 |
| B1  |      | Modify Data | HZF | 11/01/2011 |
| B0  |      | NEW RELEASE | HZF | 11/10/2009 |