

Recommended P.C.B. Layout(Component Side)  
(PCB Board Tolerance±0.05)

**SPECIFICATION**

**1.General Characteristics:**

SIM Card Drawer Type 06P SMT 90° With Switch  
H=3.0mm Row Pitch=23.2 Selective Gold Flash

**2.Material&Finish:**

- ① Base:LCP(UL94V-0),Black
- ② Data Contact:C5210,Gold Flash On Contact Area,Tin Plated On Solder Tails,Over Nickel
- ③ Spring:SWP
- ④ Push Rod:Stainless Steel
- ⑤ Roller:Stainless Steel
- ⑥ Toggle Lever:SUS304,Nickel Plated
- ⑦ Handle:PA6T(UL94V-0),Yellow
- ⑧ Switch Pin:C5210,Gold Flash On Contact Area, Tin Plated On Solder Tails,Over Nickel
- ⑨ Cover:PBT(UL94V-0),Black
- ⑩ Flake:C5210,Gold Plated Over All

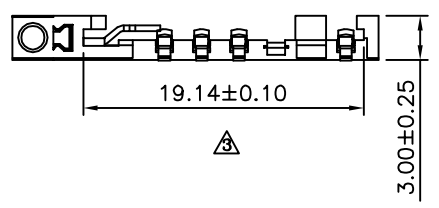
**3.Electrical Characteristics:**

Current Rating:0.5 Amp Max.  
Dielectric Withstanding:500V AC For One Minute  
Contact Resistance:30 Milliohms Max.  
Insulation Resistance:1000 Megaohms Min. At DC 500V

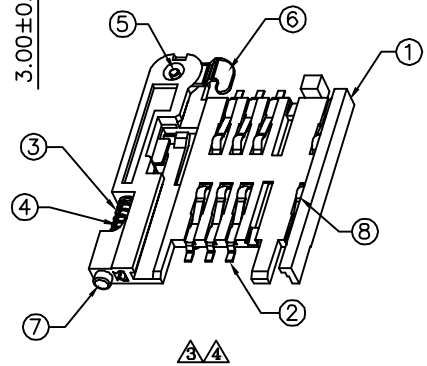
**4.Environmental Characteristics:**

Operation Temperature:-40°C~+85°C

**5.RoHS Compliant**



Pin No.	Name
C1	Vcc
C2	RST
C3	CLK
C4	RFU
C5	GND
C6	Vpp
C7	I/O
C8	RFU



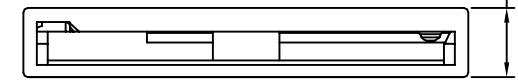
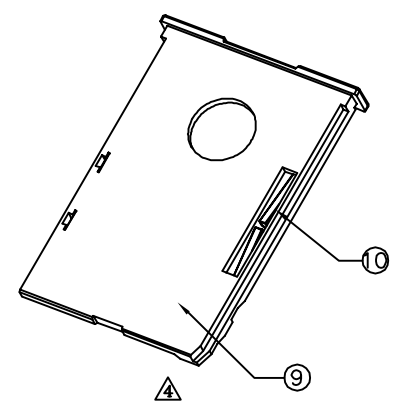
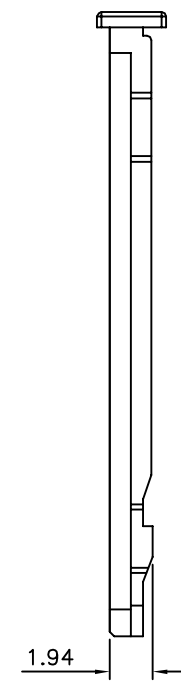
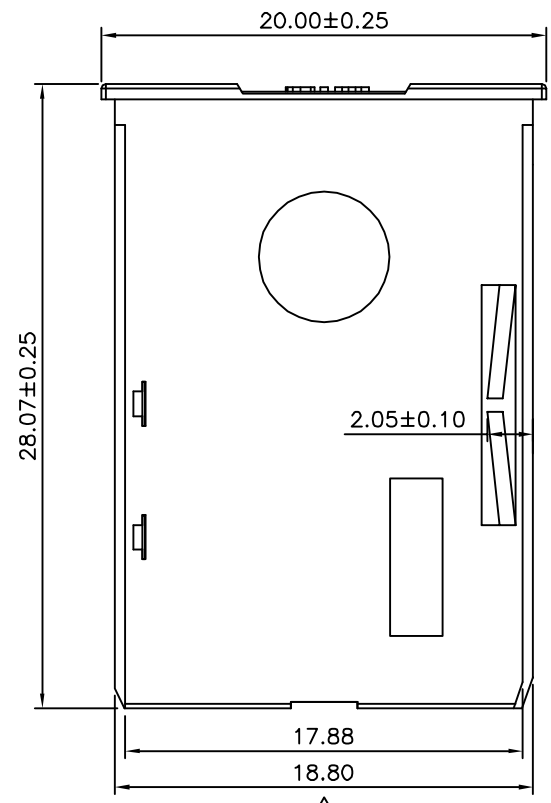
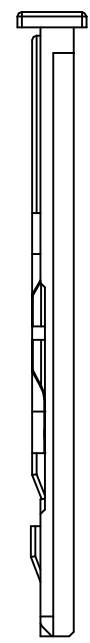
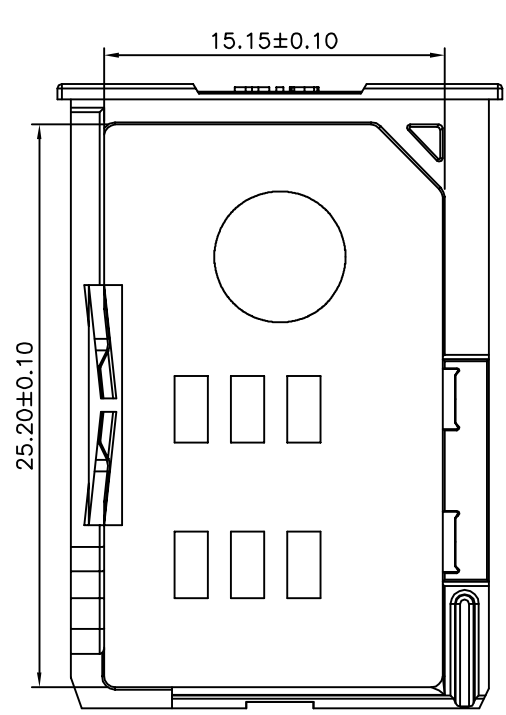
Electric Function	Detect Switch
Without Card	Open
Card Inserted	Closed



Switch Operation Diagram

**4UCON** 元化興業股份有限公司  
4UCON TECHNOLOGY INC.

DRAWING No.		APPROVED BY		UNLESS OTHERWISE SPECIFIED TOLERANCES ARE .X ±0.30 .XX ±0.20 .XXX ±0.10 ANG. ±3°	④ A4	Modify Data	HZF	12/08/2015
15927		MEI			③ A3	Modify Data	HZF	03/11/2014
SCALE NONE		CHECKED BY HZF			② A2	Modify Data	HZF	10/18/2011
REV.		DRAWING BY HAO		① A1	Modify Data	HZF	06/14/2011	
A4		UNIT mm		① A0	NEW RELEASE	HZF	06/14/2009	
NO.REV.		REV.		NO.REV.		REVISIONS	CHK	DATE



**4UCON** 元化興業股份有限公司  
4UCON TECHNOLOGY INC.

DRAWING No.  
15927

APPROVED BY MEI  
CHECKED BY HZF  
DRAWING BY HAO

UNLESS OTHERWISE SPECIFIED TOLERANCES ARE  
.X ±0.30  
.XX ±0.20  
.XXX ±0.10  
ANG. ±3°

SCALE NONE

REV. A4

UNIT mm

△ A4	Modify Data	HZF	12/08/2015
△ A3	Modify Data	HZF	03/11/2014
△ A2	Modify Data	HZF	10/18/2011
△ A1	Modify Data	HZF	06/14/2011
△ A0	NEW RELEASE	HZF	06/14/2009
NO. REV.	REVISIONS	CHK	DATE