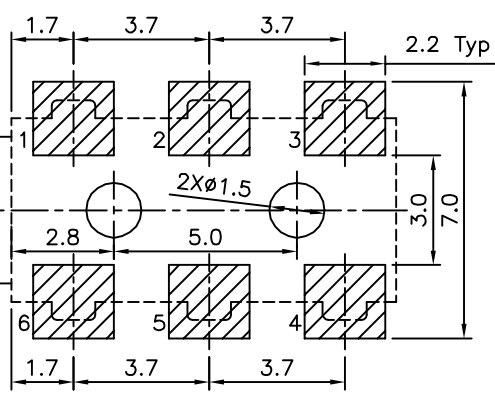
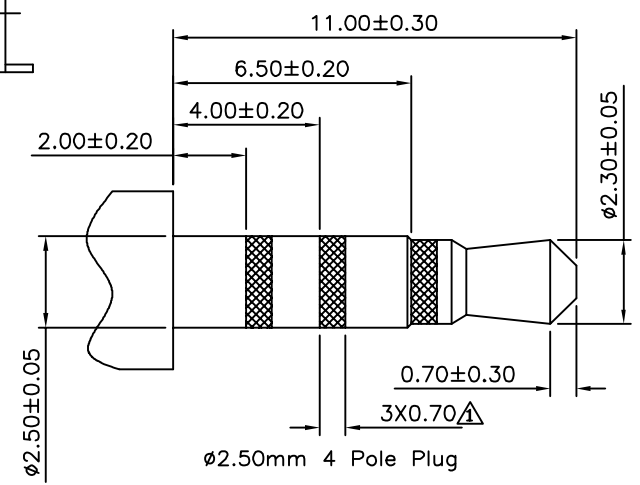
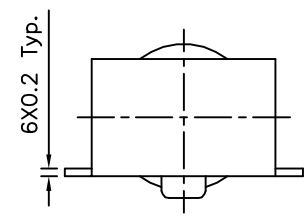
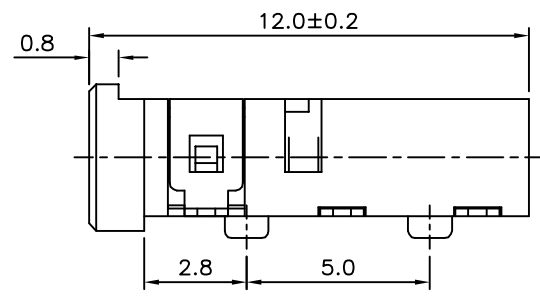
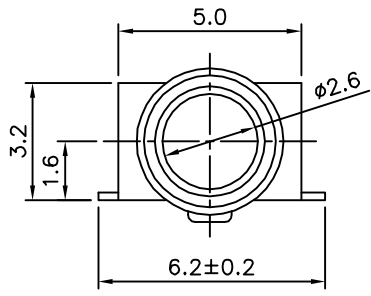
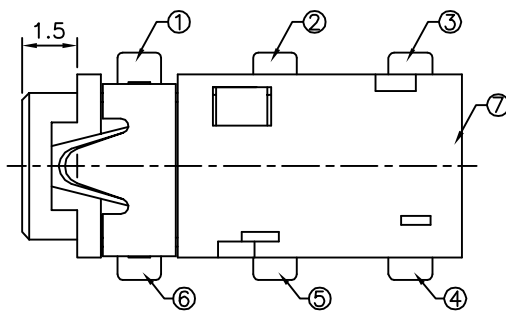
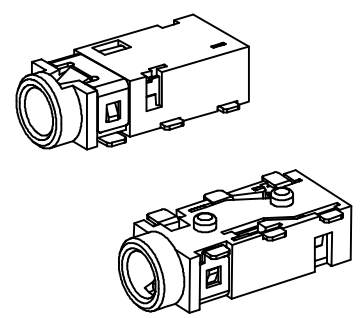
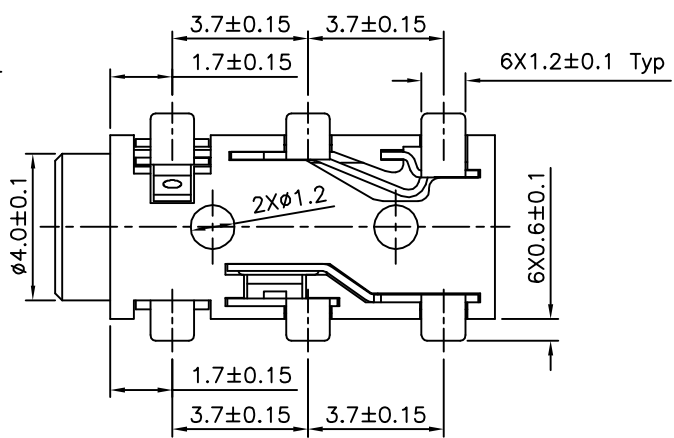


SPECIFICATION

Rating:DC 30V,1.0A
 ⚠ Contact Resistance:50 Milliohms Max.
 Insulation Resistance:100 Megaohms Min.(250V DC)
 Withstand Voltage:500V AC
 Insertion And Extraction Force:3~20N
 Life Test:5000 Cycles
 RoHS Compliant



Recommended P.C.B. Layout(Top View)



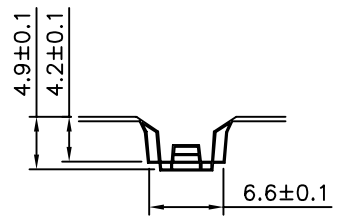
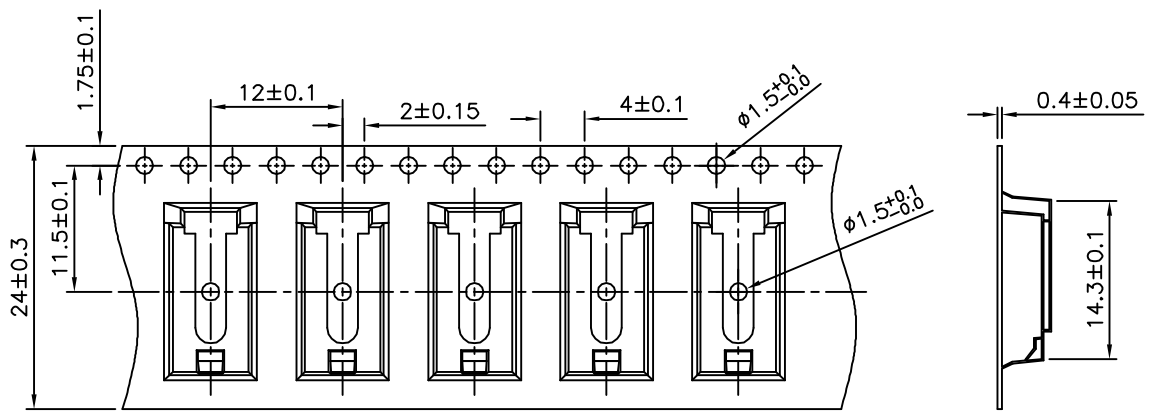
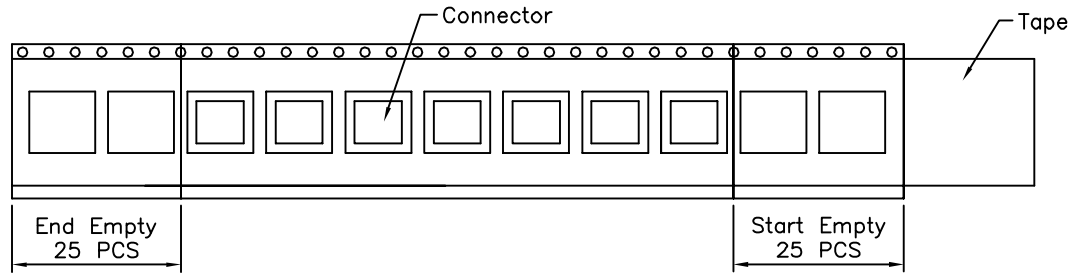
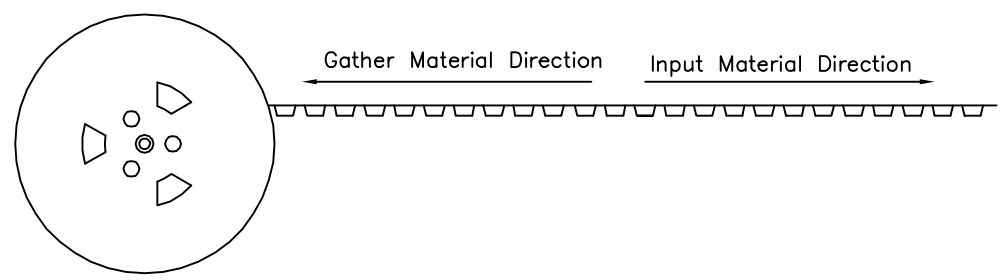
No.	Description	Q'ty	Material	Remark
①	Contact Foot #1	1	SUS301	Gold Plated Over Nickel
②	Contact Foot #2	1	SUS301	Gold Plated Over Nickel
③	Contact Foot #3	1	Bronze	Gold Plated Over Nickel
④	Contact Foot #4	1	Bronze	Gold Plated Over Nickel
⑤	Contact Foot #5	1	SUS301	Gold Plated Over Nickel
⑥	Contact Foot #6	1	Bronze	Gold Plated Over Nickel
⑦	Housing	1	PA9T	

4UCON 元化興業股份有限公司
 4UCON TECHNOLOGY INC.

DRAWING No.		APPROVED BY		UNLESS OTHERWISE SPECIFIED TOLERANCES ARE .X ±0.15 .XX ±0.15 ANG. ±1.5°
15932		EMILY		
		CHECKED BY		
		HZF		
		DRAWING BY		
		HAO		
SCALE	NONE	REV.	A1	UNIT mm

NO.	REV.	REVISIONS	CHK	DATE
⚠	A1	Modify Data	HZF	12/25/2014
⚠	A0	NEW RELEASE	HZF	02/16/2014

SPECIFICATION
 Reel Size:13"X24mm
 Q'ty:1000 PCS/Reel
 RoHS Compliant



Schematic		
15932	17574	04015

4UCON 元化興業股份有限公司
 4UCON TECHNOLOGY INC.

DRAWING No.		APPROVED BY		UNLESS OTHERWISE SPECIFIED TOLERANCES ARE 30~ ±0.50 10~30 ±0.30 ~10 ±0.15 ANG. ±2°
15932		EMILY		
		CHECKED BY		
		HZF		
		DRAWING BY		UNIT mm
		HAO		
SCALE	NONE	REV.	A1	

NO.	REV.	REVISIONS	CHK	DATE
△ A1		Modify Data	HZF	12/25/2014
△ A0		NEW RELEASE	HZF	02/16/2014