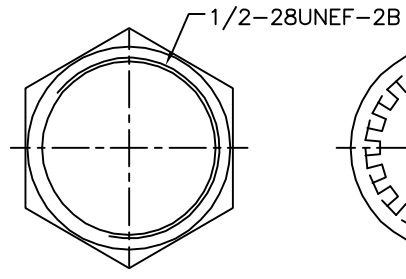
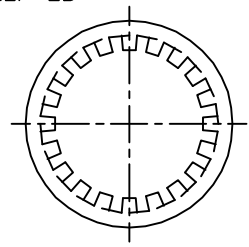


- △△ SPECIFICATION**
- ① Center Contact: Phosphor Bronze, Gold Plated Over Nickel
 - ② Body: Zinc Alloy, Nickel Plated
 - ③ Housing: PBT (UL94V-0)
 - ④ Insulator: PE-606
 - △⑤ Mounting Post: Brass, Tin Plated
 - ⑥ Solder Tail: Copper Wire, Tin Plated
 - ⑦ Washer: Steel, Nickel Plated
 - ⑧ Nut: Brass, Nickel Plated
- RoHS Compliant

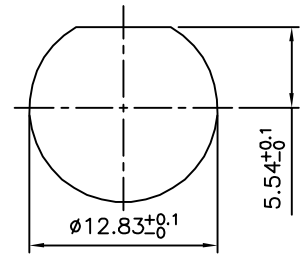
Item No.	Housing Color
06542	White
15935	Black



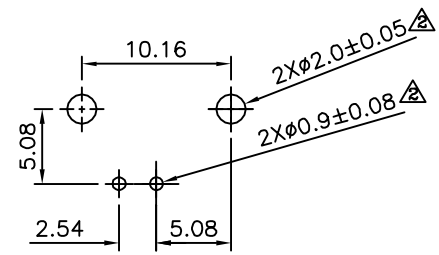
⑧ Clamp Nut



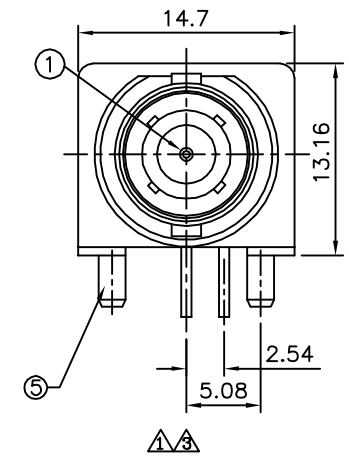
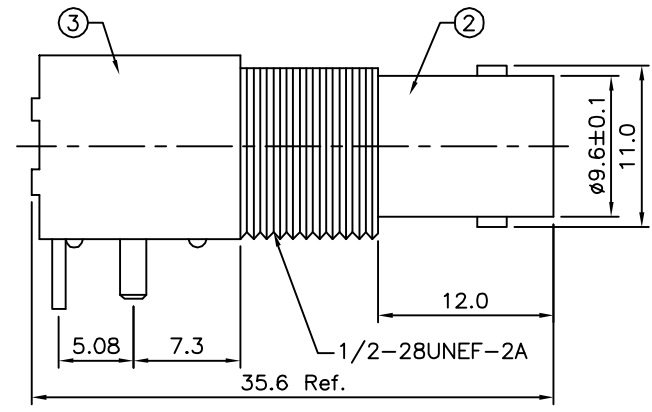
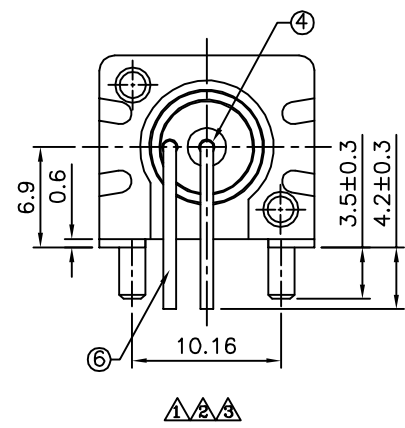
⑦ Lock Washer



Recommended Mounting Hole
Max. Panel Thickness: 5.5mm



Recommended P.C. Board Layout
Without Mounting Posts



4UCON 元化興業股份有限公司
4UCON TECHNOLOGY INC.

DRAWING No.		APPROVED BY		UNLESS OTHERWISE SPECIFIED TOLERANCES ARE X. ±0.5 △.X ±0.3 .XX ±0.2 ANG. ±3°
15935		MEI		
		CHECKED BY		
		HZF		
		DRAWING BY		UNIT mm
		SONG		
SCALE	NONE	REV.	B3	①

NO.	REV.	REVISIONS	CHK	DATE
△	B3	Modify Data	HZF	04/13/2012
△	B2	Modify Data	HZF	04/06/2011
△	B1	Modify Data	HZF	03/29/2010
△	B0	NEW RELEASE	BECKY	03/29/2006