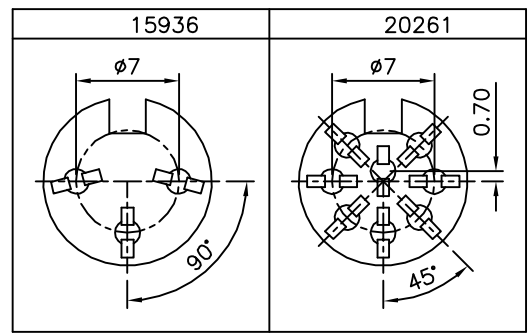
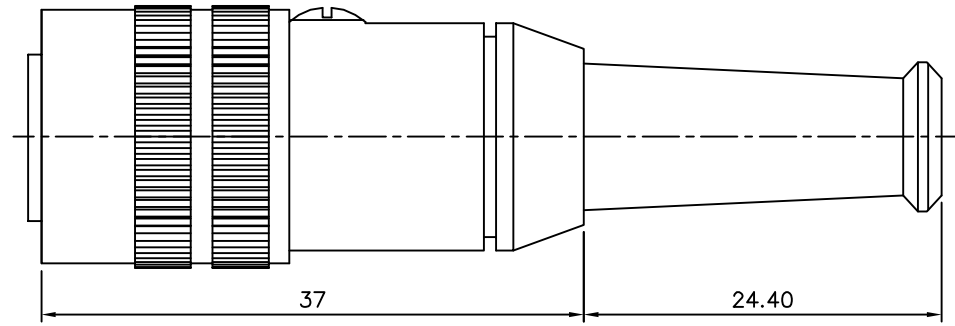
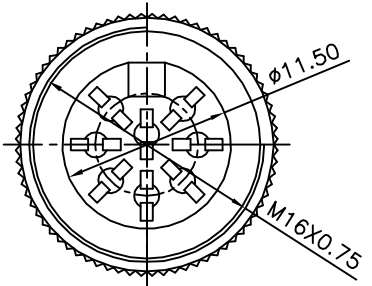


**SPECIFICATION**  
 Rating:100V AC 1A Max.  
 Contact Resistance:  
     Pins:30 Milliohms Max.  
     Shell:50 Milliohms Max.  
 Insulation Resistance:  
     100 Megaohms Min. At 500V DC  
 Withstand Voltage:250V AC For 1 Minute  
 Shell Cover:Brass,Nickel Plated  
 Screw Cap:Brass,Nickel Plated  
 "T" Holder:Steel,Nickel Plated  
 Spring:Steel,Nickel Plated  
 Setscrew:Steel,Nickel Plated  
 Housing:ABS  
 Strain Boot:PVC  
 Terminal:Brass,Silver Plated  
 RoHS Compliant



**4UCON** 元化興業股份有限公司  
 4UCON TECHNOLOGY INC.

DRAWING No.		APPROVED BY		UNLESS OTHERWISE SPECIFIED TOLERANCES ARE X. ±0.38 .X ±0.38 .XX ±0.25
15936		MEI		
		HZF		
		DRAWING BY		
		WZL		
SCALE	NONE	REV.	A0	UNIT
				mm

NO.	REV.	DESCRIPTION	CHK	DATE
△ A0		NEW RELEASE	HZF	09/30/2010
		REVISIONS		