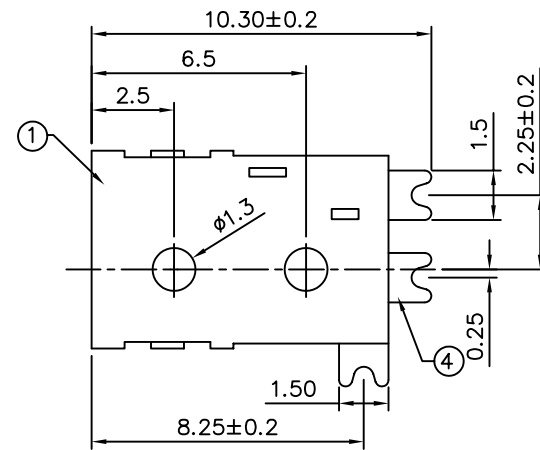
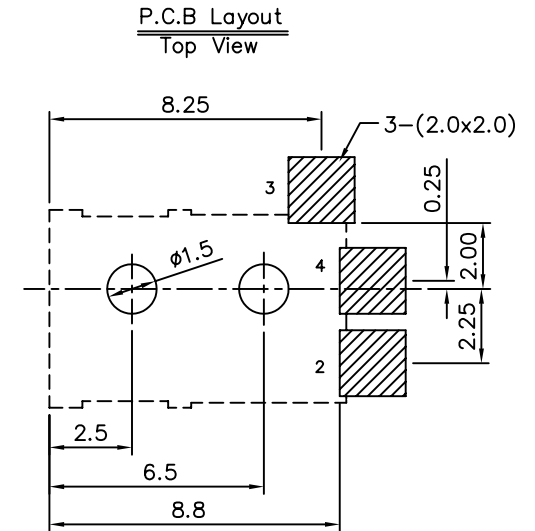
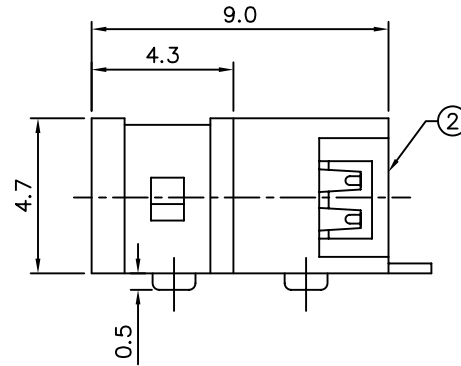
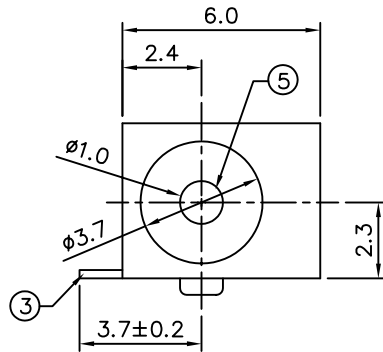
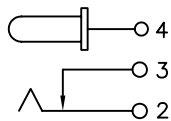


SPECIFICATIONS

Rating: DC 30V 0.5A
 Contact Resistance: 30 Milliohms Max.
 Insulation Resistance: 100 Megohms Min.(DC 250V)
 Withstand Voltage: 250V AC
 Insertion And Extraction Force: 3-15N
 Life Test: 5000 Cycles



Schematic



5	Pin	1	Brass	Ag-Plating
4	Contact Foot	1	Brass	Ag-Plating
3	Curve Piece	1	Brass	Ag-Plating
2	Spring	1	Be-Cu	Ag-Plating
1	Housing	1	PA46	
No.	Description	Q'ty	Material	Plating

4UCON 元化興業股份有限公司
 4UCON TECHNOLOGY INC.

DRAWING No.

17577

APPROVED BY

MEI

CHECKED BY

BECKY

DRAWING BY

HZF

UNLESS OTHERWISE SPECIFIED

TOLERANCES ARE

.X ±0.15

.XX ±0.15

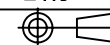
ANG. ±1.5°

SCALE NONE

REV.

A0

UNIT mm



NO.

REV.

NEW RELEASE

REVISIONS

CHK

02/03/2005
DATE