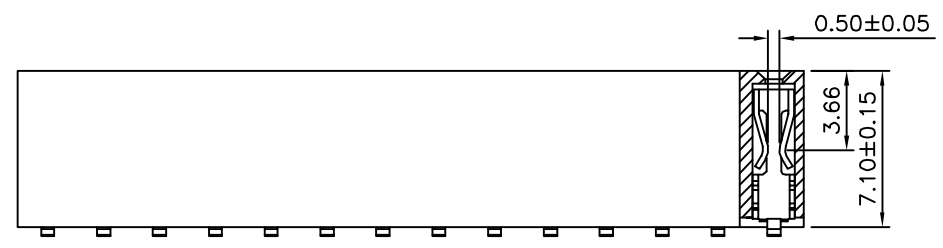
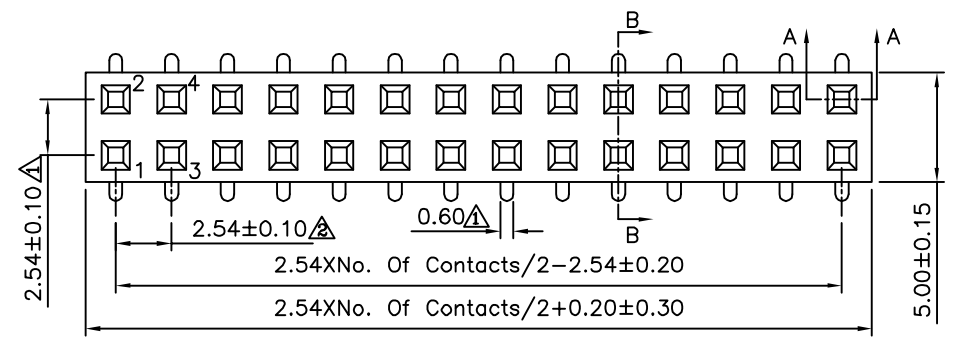
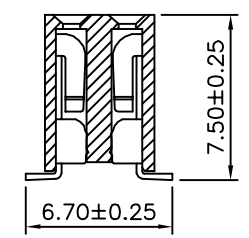


Recommended P.C.B. Layout (Top Side)
(PCB Board Tolerance ±0.05)

△ SPECIFICATION
 Rated Current: 3.0 Amp
 Withstand Voltage: 1000V AC/DC
 Contact Resistance: 20 Milliohms Max.
 Insulation Resistance: 1000 Megaohms Min.
 Operation Temperature: -40°C ~ +105°C
 Insulator: PA9T+30%G.F.(UL94V-0), Black
 Contact: Phosphor Bronze, Gold Plated Over Nickel
 RoHS Compliant



Section A-A



Section B-B

4UCON 元化興業股份有限公司
 4UCON TECHNOLOGY INC.

DRAWING No.		APPROVED BY		UNLESS OTHERWISE SPECIFIED TOLERANCES ARE					
17650		MEI		.X ±0.40		△ A3	Modify Data	HZF	08/09/2012
		HZF		.XX ±0.25		△ A2	Modify 2.54±1.10-->2.54±0.10	HZF	10/17/2011
		GAO		.XXX ±0.15		△ A1	Modify Data	HZF	01/16/2010
SCALE	NONE	REV.	A3	UNIT	mm	△ A0	NEW RELEASE	BECKY	04/11/2005
				ANG. ±3°		NO. REV.	REVISIONS	CHK	DATE