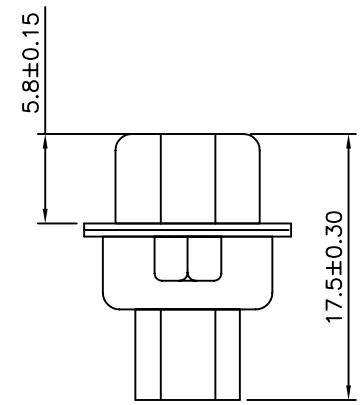
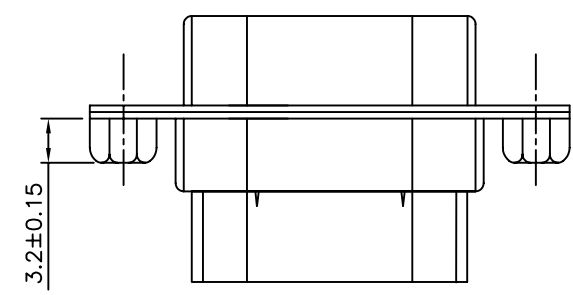
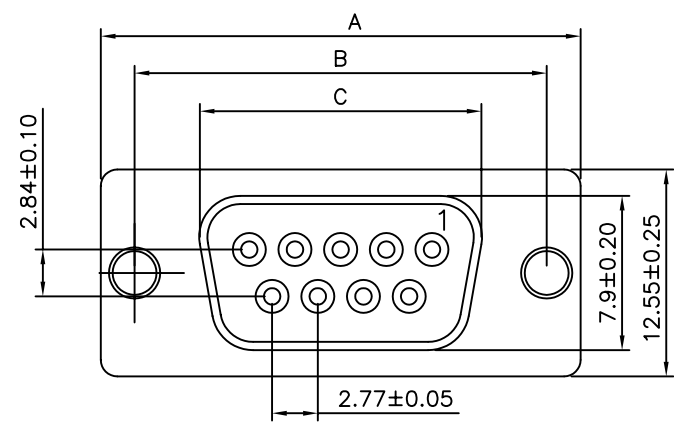



SPECIFICATIONS
 Current Rating: 1A Max.
 Dielectric Withstanding Voltage: 750V(AC) For 1 Min.
 Contact Resistance: 30 Milliohms Max.
 Insulation Resistance: 1000 Megohms Min.
 Total Mating Force: 7.0 Kgf Max.
 Total Unmating Force: 1.5 Kgf Min.
 Temperature Range: -55°C~85°C
 Insulator: High Temperature Thermoplastic
 With G.F,UL 94V-0
 Contact: Copper Alloy, T=0.20mm
 Selective Au Plated On Mating Area
 Shell: SPCC, T=0.30mm



Contact	A±0.25	B±0.20	C±0.20
09	30.81	24.99	16.35
15	39.25	33.32	24.51
25	53.04	47.04	38.35
37	69.50	63.50	54.84

4UCON 元化興業股份有限公司
 4UCON TECHNOLOGY INC.

DRAWING No.		APPROVED BY		UNLESS OTHERWISE SPECIFIED TOLERANCES ARE .X ±0.3 .XX ±0.20 .XXX ±0.100 ANG. ±1°
17877		MEI		
		CHECKED BY		
		BECKY		
		DRAWING BY		UNIT mm
		HZF		
SCALE	NONE	REV.	BO	

NO.	REV.	REVISIONS	CHK	DATE
△	BO	NEW RELEASE	BECKY	02/27/2006