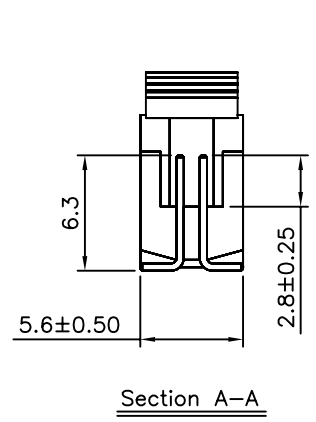
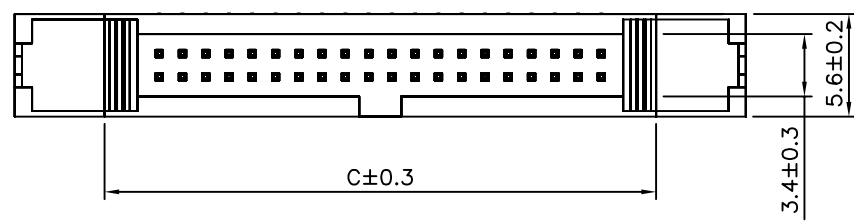
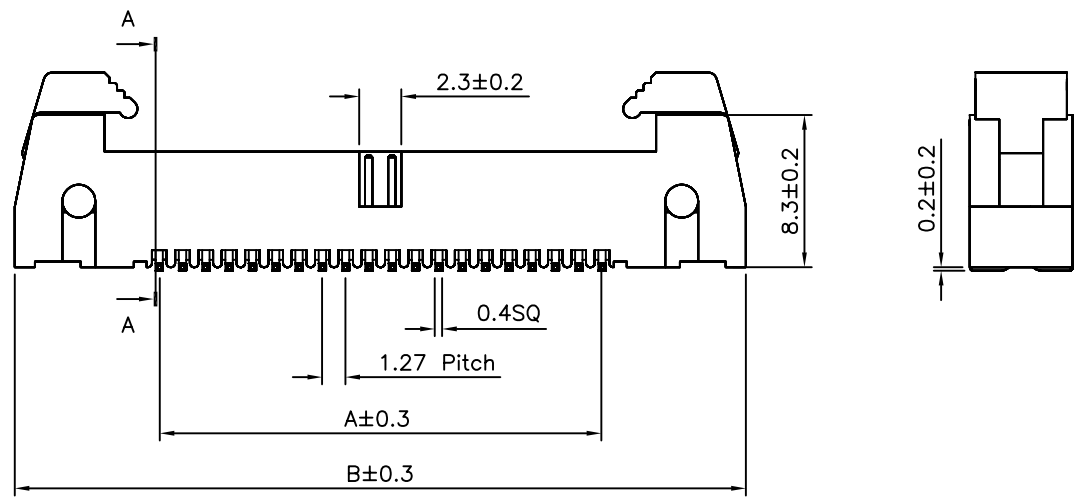


P.C.Board Layout

**SPECIFICATIONS**  
 Contact: Brass  
 Insulator: LCP  
 Finish: Gold Flash Plated Over Nickel



Section A-A



| Circuits | Dim. A | Dim. B | Dim. C |
|----------|--------|--------|--------|
| 06       | 2.54   | 18.31  | 8.46   |
| 10       | 5.08   | 20.85  | 11.00  |
| 12       | 6.35   | 22.12  | 12.27  |
| 14       | 7.62   | 23.39  | 13.54  |
| 16       | 8.89   | 24.66  | 14.81  |
| 20       | 11.43  | 27.20  | 17.35  |
| 26       | 15.24  | 31.01  | 21.16  |
| 30       | 17.78  | 33.55  | 23.70  |
| 34       | 20.32  | 36.09  | 26.24  |
| 40       | 24.13  | 39.90  | 30.05  |
| 44       | 26.67  | 42.44  | 37.59  |
| 50       | 30.48  | 46.25  | 36.40  |
| 60       | 36.83  | 52.60  | 42.75  |
| 64       | 39.37  | 55.14  | 45.29  |
| 66       | 40.64  | 56.41  | 46.56  |
| 68       | 41.91  | 57.68  | 47.83  |
| 80       | 49.53  | 65.30  | 55.45  |
| 100      | 62.23  | 78.00  | 68.15  |

**4UCON** 元化興業股份有限公司  
 4UCON TECHNOLOGY INC.

|             |      |             |    |  |
|-------------|------|-------------|----|--|
| DRAWING No. |      | APPROVED BY |    | UNLESS OTHERWISE SPECIFIED TOLERANCES ARE<br>.X ±0.38<br>.XX ±0.25<br>ANG. |
| 18004       |      | MEI         |    |  |
|             |      | BECKY       |    |  |
|             |      | DRAWING BY  |    | UNIT mm  |
|             |      | HZF         |    |  |
| SCALE       | NONE | REV.        | A0 | NO. REV.   |

|             |  |       |            |
|-------------|--|-------|------------|
| NEW RELEASE |  | BECKY | 02/02/2005 |
| REVISIONS   |  | CHK   | DATE       |