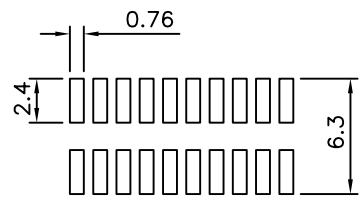
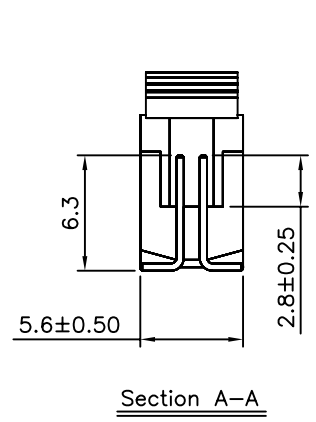
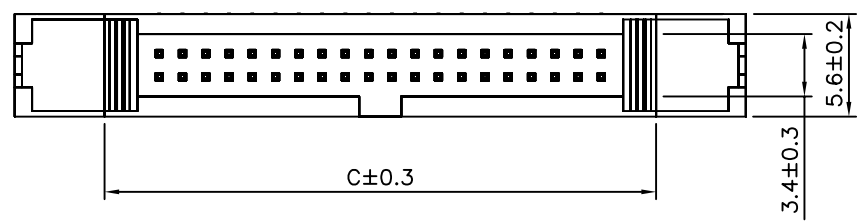


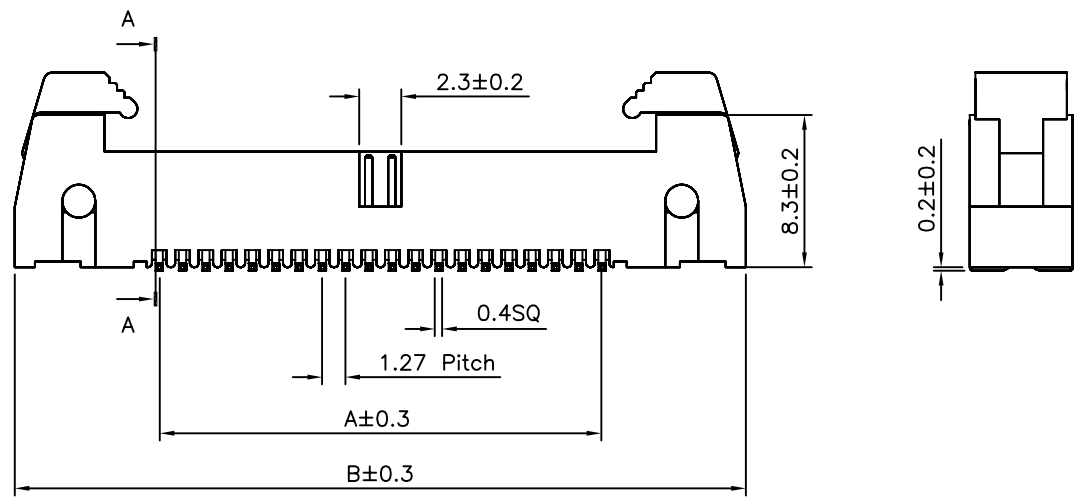
SPECIFICATIONS
 Contact: Brass
 Insulator: LCP
 Finish: Gold Flash Plated Over Nickel



P.C.Board Layout



Section A-A



| Circuits | Dim. A | Dim. B | Dim. C |
|----------|--------|--------|--------|
| 06 | 2.54 | 18.31 | 8.46 |
| 10 | 5.08 | 20.85 | 11.00 |
| 12 | 6.35 | 22.12 | 12.27 |
| 14 | 7.62 | 23.39 | 13.54 |
| 16 | 8.89 | 24.66 | 14.81 |
| 20 | 11.43 | 27.20 | 17.35 |
| 26 | 15.24 | 31.01 | 21.16 |
| 30 | 17.78 | 33.55 | 23.70 |
| 34 | 20.32 | 36.09 | 26.24 |
| 40 | 24.13 | 39.90 | 30.05 |
| 44 | 26.67 | 42.44 | 37.59 |
| 50 | 30.48 | 46.25 | 36.40 |
| 60 | 36.83 | 52.60 | 42.75 |
| 64 | 39.37 | 55.14 | 45.29 |
| 66 | 40.64 | 56.41 | 46.56 |
| 68 | 41.91 | 57.68 | 47.83 |
| 80 | 49.53 | 65.30 | 55.45 |
| 100 | 62.23 | 78.00 | 68.15 |

4UCON 元化興業股份有限公司
 4UCON TECHNOLOGY INC.

| | | | | |
|-------------|------|---------------------|----|--|
| DRAWING No. | | APPROVED BY | | UNLESS OTHERWISE SPECIFIED TOLERANCES ARE .X ±0.38 .XX ±0.25 ANG. |
| 18005 | | MEI | | |
| | | CHECKED BY BECKY | | |
| | | DRAWING BY HZF | | |
| SCALE | NONE | REV. | A0 | UNIT mm |

| | | | |
|----------|-------------|-------|------------|
| △ A0 | NEW RELEASE | BECKY | 02/02/2005 |
| NO. REV. | REVISIONS | CHK | DATE |