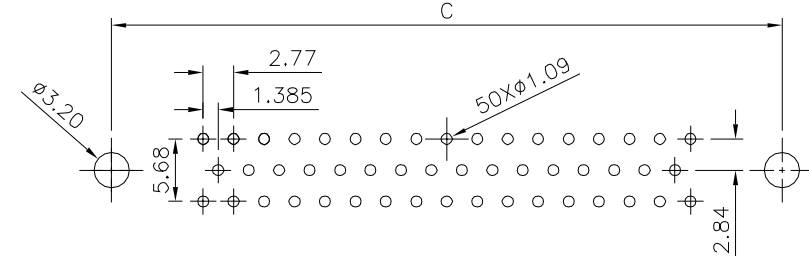
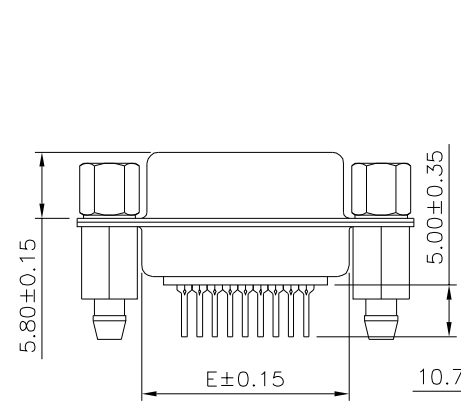
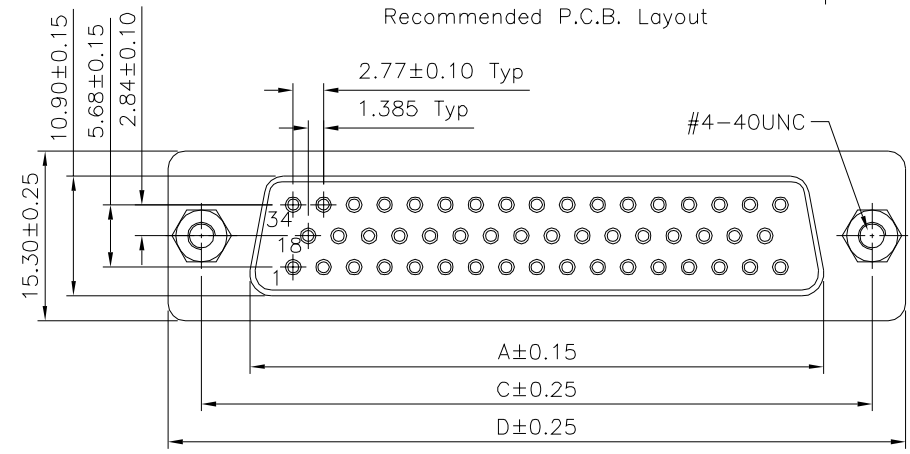
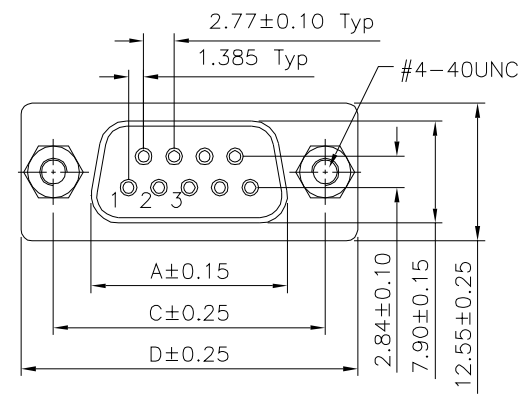


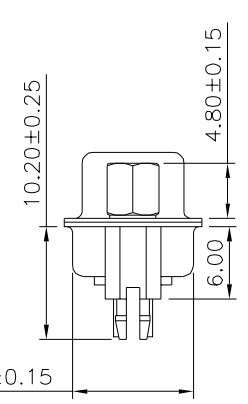
Recommended P.C.B. Layout



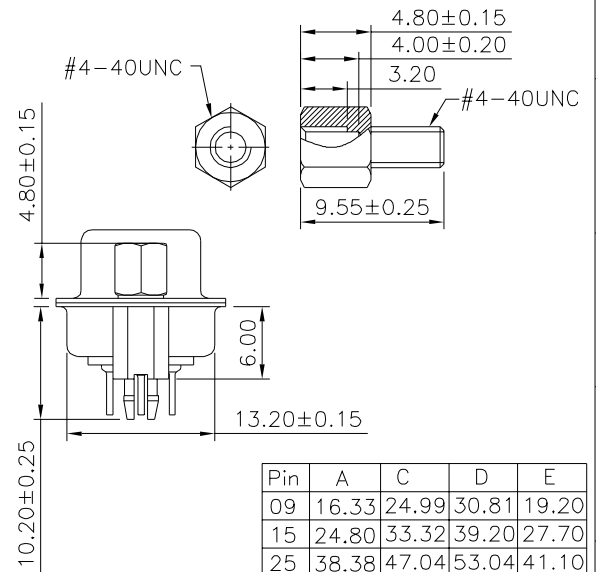
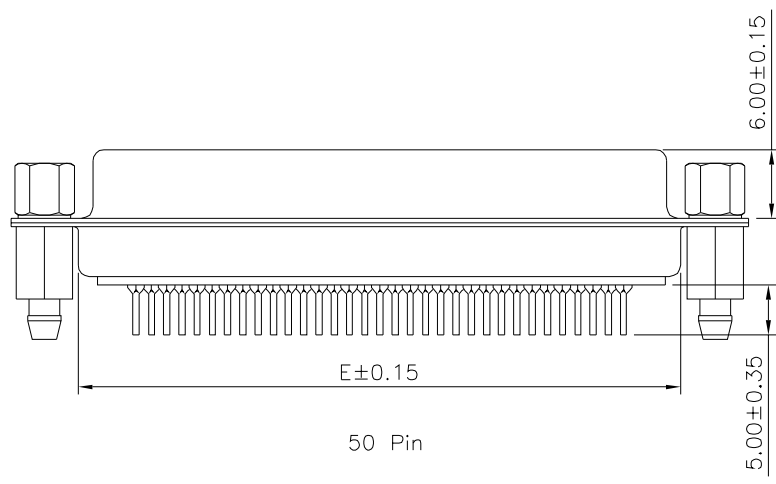
Recommended P.C.B. Layout



09,15,25,37 Pin



50 Pin



Pin	A	C	D	E
09	16.33	24.99	30.81	19.20
15	24.80	33.32	39.20	27.70
25	38.38	47.04	53.04	41.10
37	54.84	63.50	69.40	57.30
50	52.20	61.00	67.00	55.10

SPECIFICATION
 Current Rating:1 Amps
 Withstanding Voltage:500V(One Minute)
 Insulation Resistance:1000 Megaohms Min.
 At 500V DC
 Contact Resistance:30 Milliohms Max.
 Operation Temperature:-40°C~+85°C
 Insulator:PBT+30%G.F.(UL94V-0),Black
 Contact:Brass,Gold Flash Over Nickel
 Shell:SPCC,Front:Nickel Plated,Rear:Tin Plated
 Screw:12L14,Nickel Plated
 Boardlocks:C3604,Tin Plated
 RoHS Compliant

4UCON 元化興業股份有限公司
 4UCON TECHNOLOGY INC.

DRAWING No.		APPROVED BY		UNLESS OTHERWISE SPECIFIED TOLERANCES ARE .X ±0.38 .X* ±3* .XX ±0.25 .XX* ±1* .XXX ±0.05 .XXX* ±0.5*
18102		MEI		
		CHECKED BY HZF		
SCALE		DRAWING BY		UNIT mm
NONE		CYP		
REV.	B0	NO.		△ B0
		REV.		NEW RELEASE
		NO.		REVISIONS
		CHK		HZF
		DATE		04/18/2019

NO.	REV.	DESCRIPTION	CHK	DATE