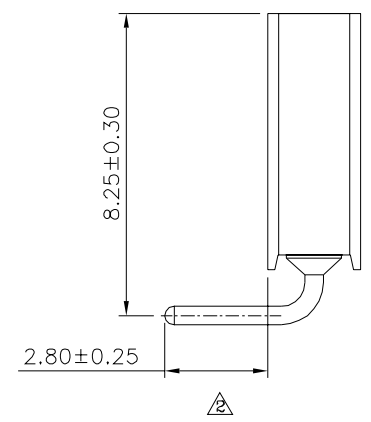
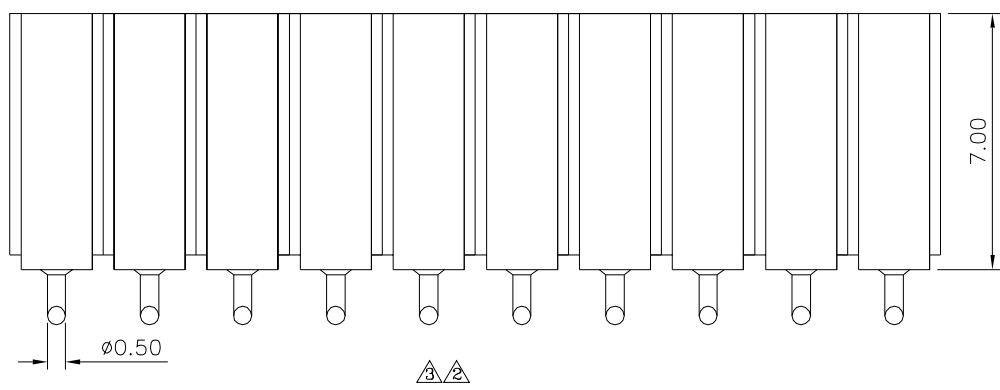
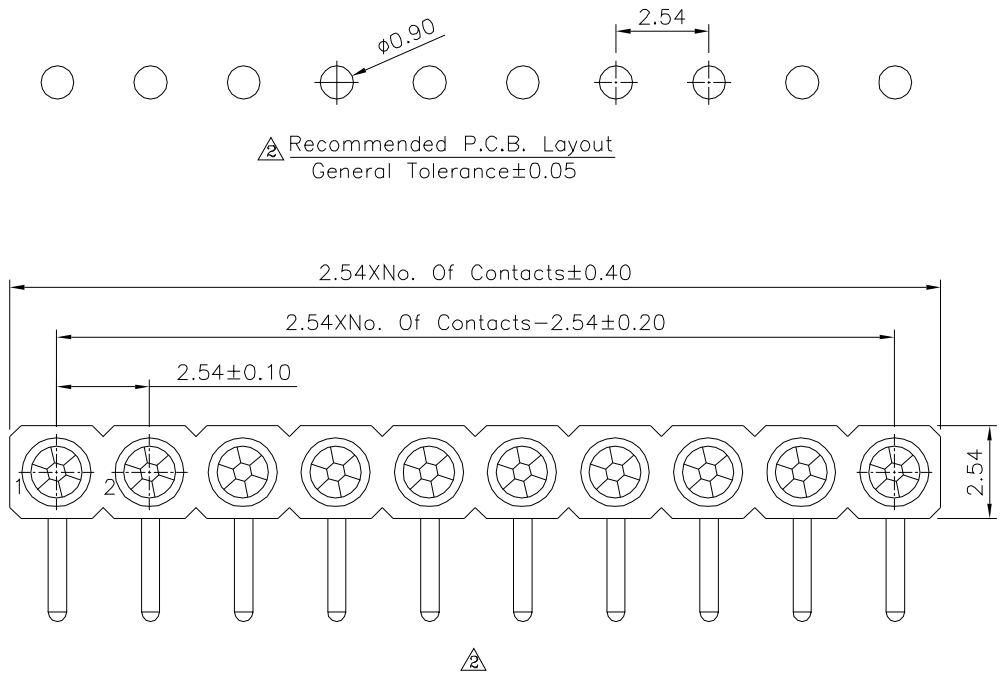


△ SPECIFICATION

- Current Rating: 3A/Contact Max.
- Contact Resistance: 4 Milliohms/Contact Max.
- △ Insulation Resistance: 1000 Megaohms Min.
- Operation Temperature: -40°C ~ +105°C
- Average Insertion Force With Steel Pin Of $\phi 0.66\text{mm}$: <140g
- Average Withdrawal Force With Steel Pin Of $\phi 0.66\text{mm}$: >25g Min.
- △ Pin (Outer Sleeve): Brass, Tin Plated Over Nickel
- △ Clip (Contact 6 Finger): Beryllium Copper
Gold Flash Over Nickel
- Insulator: PPS (UL94V-0), Black
- RoHS Compliant



4UCON 元化興業股份有限公司
4UCON TECHNOLOGY INC.

DRAWING No. **18148**

APPROVED BY
EMILY
CHECKED BY
HZF
DRAWING BY
GAO

UNLESS OTHERWISE SPECIFIED TOLERANCES ARE
X. ± 0.50
X. ± 0.30
XX ± 0.20
.XXX ± 0.10
ANG. $\pm 5^\circ$

△4	A4	Modify Data	HZF	06/13/2024
△3	A3	Modify Data	HZF	05/09/2024
△2	A2	Modify Data	HZF	09/14/2022
△1	A1	Modify Data	HZF	06/04/2013
△0	A0	NEW RELEASE	HZF	04/12/2009
NO.	REV.	REVISIONS	CHK	DATE

SCALE NONE REV. A4

