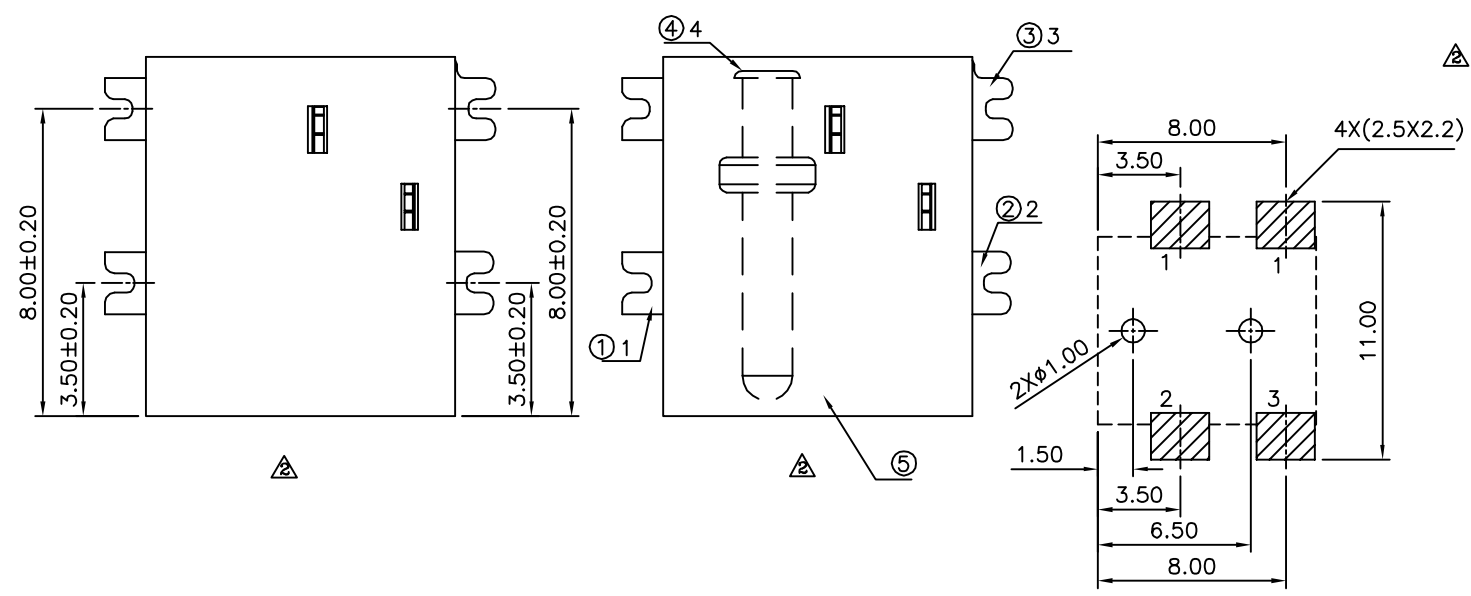
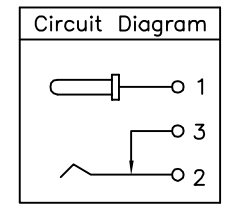
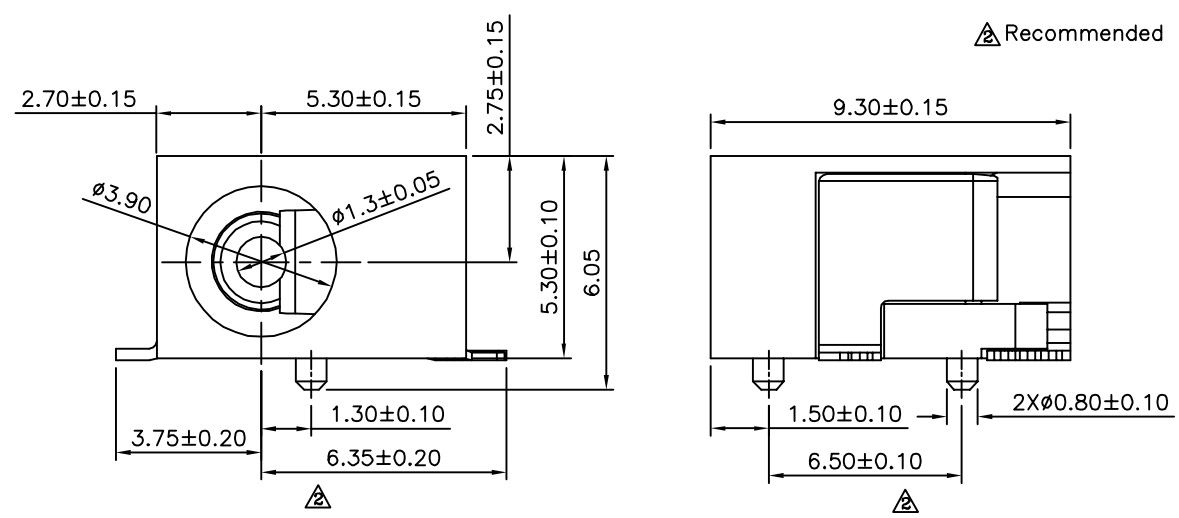


**△ SPECIFICATION**  
 △ Rating:DC 30V 0.5A  
 Withstand Voltage:500V AC  
 Contact Resistance:30 Milliohms Max.  
 Insulation Resistance:100 Megaohms Min.(250V DC)  
 △ Insertion And Extraction Force:3N~30N  
 Life Test:5000 Cycles  
 RoHS Compliant



△ Recommended P.C.B. Layout(Top View)



No.	Part Name	Q'ty	Material	Remark
⑤	Housing	1	PA9T	Black
④	Pin	1	H62	CuSn Plated
③	Terminal-3	1	Brass	Silver Plated
②	Terminal-2	1	SUS301	Silver Plated
①	Terminal-1	1	Brass	Silver Plated

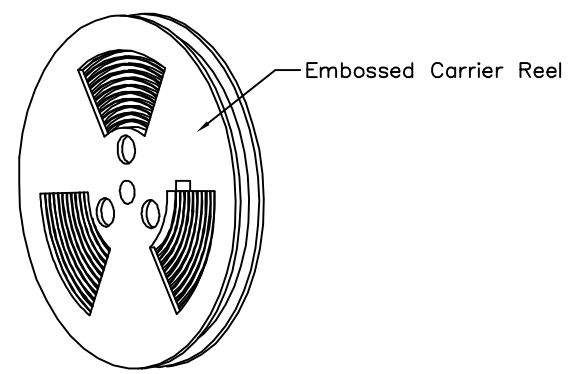
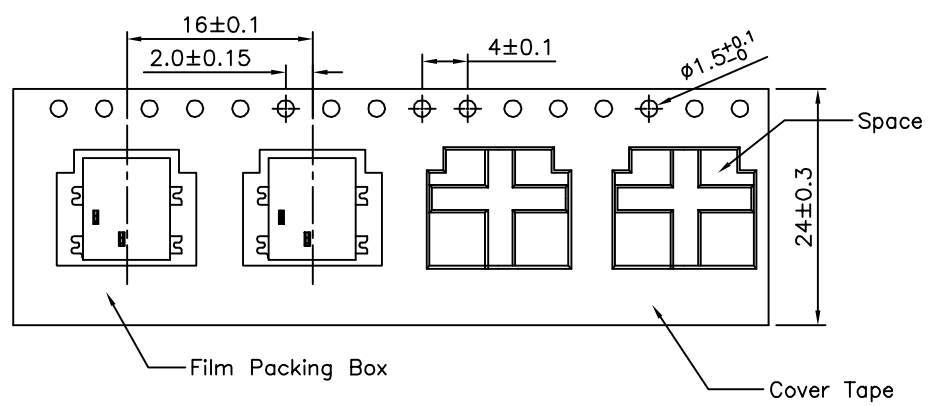
**4UCON** 元化興業股份有限公司  
 4UCON TECHNOLOGY INC.

DRAWING No.		APPROVED BY		UNLESS OTHERWISE SPECIFIED TOLERANCES ARE △ 0~4 ±0.15 △ 4~16 ±0.20 △ 16~ ±0.30 ANG. ±5°
18574		MEI		
		CHECKED BY		
		HZF		
		DRAWING BY		
		GAO		
SCALE	NONE	REV.	A2	UNIT mm

NO.	REV.	REVISIONS	CHK	DATE
△ A2		Modify Data	HZF	09/20/2012
△ A1		Modify Spec.	HZF	04/08/2010
△ A0		NEW RELEASE	HZF	06/19/2008

**SPECIFICATION**

Thickness Of The Film:0.35mm  
 Embossed Carrier Reel Dimension:330X29.1mm  
 Cover Tape Dimension:10200X21.3X0.06mm  
 Q'ty:600 PCS/Reel  
 RoHS Compliant



**4UCON** 元化興業股份有限公司  
 4UCON TECHNOLOGY INC.

DRAWING No.		APPROVED BY		UNLESS OTHERWISE SPECIFIED TOLERANCES ARE .X ±0.38 .XX ±0.25 ANG.
18574		MEI		
		CHECKED BY HZF		
SCALE		DRAWING BY		UNIT mm
NONE		GAO		
REV.	A2	NO. REV.		REVISIONS

NO.	REV.	REVISIONS	CHK	DATE
△A2		Modify Data	HZF	09/20/2012
△A1		Modify Spec.	HZF	04/08/2010
△A0		NEW RELEASE	HZF	06/19/2008