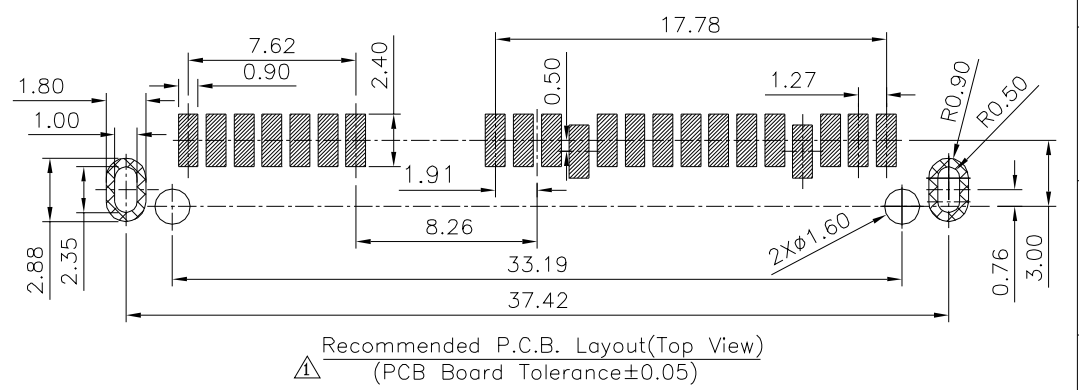
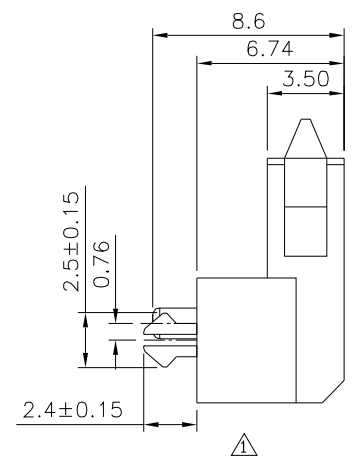


**△ SPECIFICATION**  
 Current Rating:1.5A  
 Operation Voltage:100V AC Max.  
 Withstand Voltage:500V AC  
 Contact Resistance:30 Milliohms Max.  
 Insulation Resistance:1000 Megaohms Min.  
 Operating Range:-25°C~+85°C  
 Housing:LCP+30%G.F.(UL94V-0),Black  
 Contact:C5191R  
 Gold Flash On Contact Area,Tin  
 Plated On Solder Tails,Over Nickel  
 Peg:Brass,Tin Plated On Solder Tails,Nickel Plated  
 Over All  
 RoHS Compliant



**4UCON** 元化興業股份有限公司  
 4UCON TECHNOLOGY INC.

DRAWING No.		APPROVED BY		UNLESS OTHERWISE SPECIFIED TOLERANCES ARE X. ±0.25 X.* ±2° .X ±0.20 △.X* ±1.5° .XX ±0.15 .XX* ±1° .XXX ±0.10 .XXX* ±0.5°			
18676		MEI					
		CHECKED BY					
		HZF					
		DRAWING BY					
		CYP					
SCALE	NONE	REV.	A1	UNIT	mm		

NO.	REV.	REVISIONS	CHK	DATE
△ A1		Modify Data	HZF	04/12/2017
△ A0		NEW RELEASE	HZF	01/31/2013