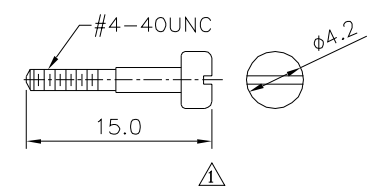
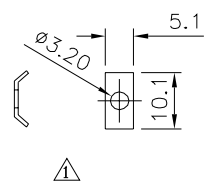
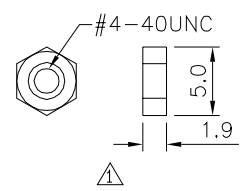
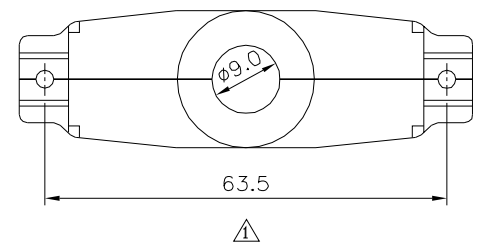
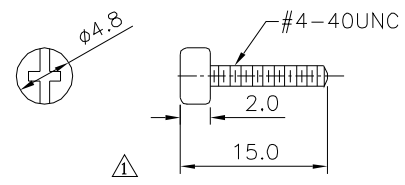
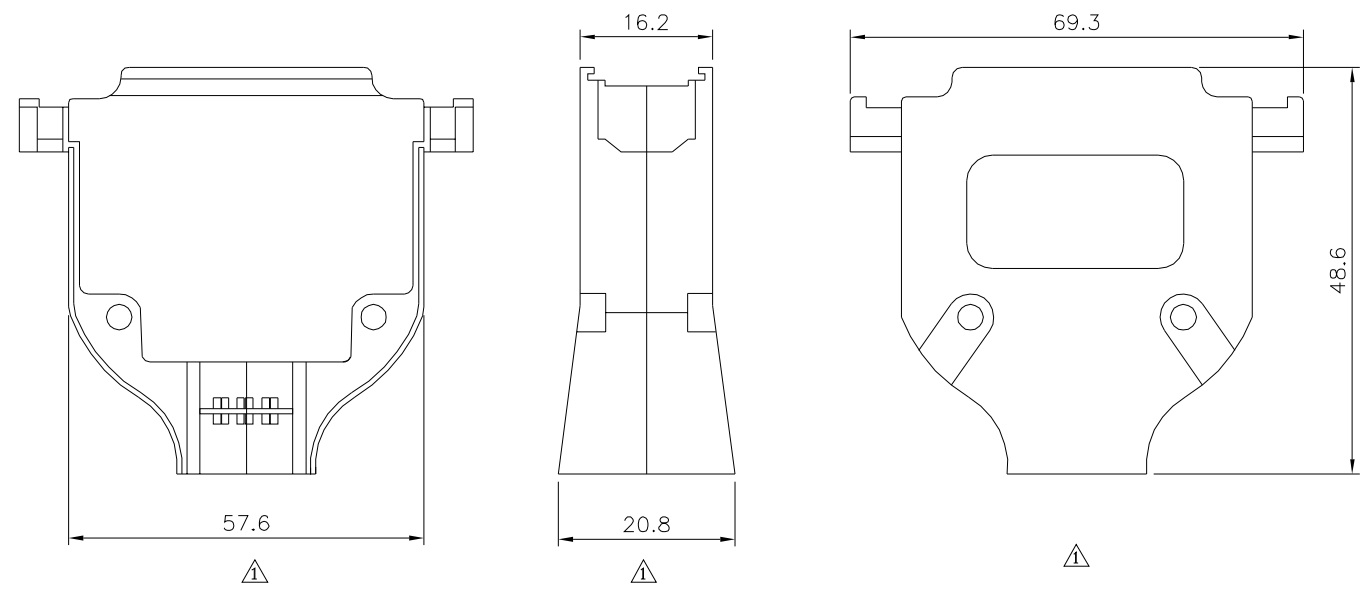


△ SPECIFICATION
 Material: Zinc Alloy, Nickel Plated
 Screw: Steel, Nickel Plated
 RoHS Compliant



4UCON 元化興業股份有限公司
 4UCON TECHNOLOGY INC.

DRAWING No. △
 18767

APPROVED BY MEI
 CHECKED BY HZF
 DRAWING BY HAO
 REV. A1

UNLESS OTHERWISE SPECIFIED TOLERANCES ARE
 X. ±0.5
 .X ±0.3
 .XX ±0.2
 ANG. ±5°
 UNIT mm

NO.	REV.	REVISIONS	CHK	DATE
△ A1		Modify Data	HZF	10/24/2014
△ A0		NEW RELEASE	HZF	05/28/2007

SCALE NONE