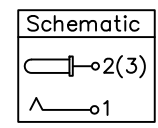
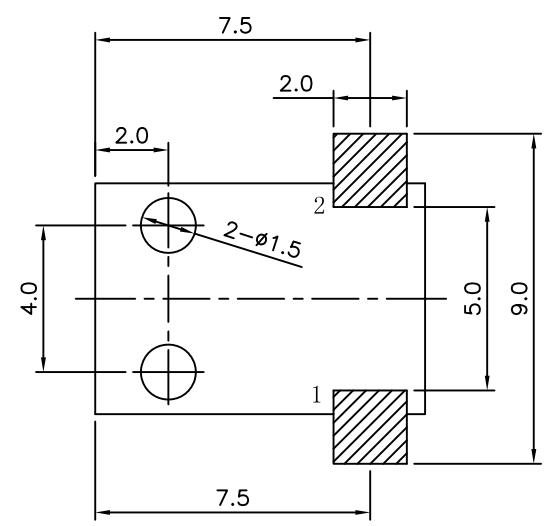
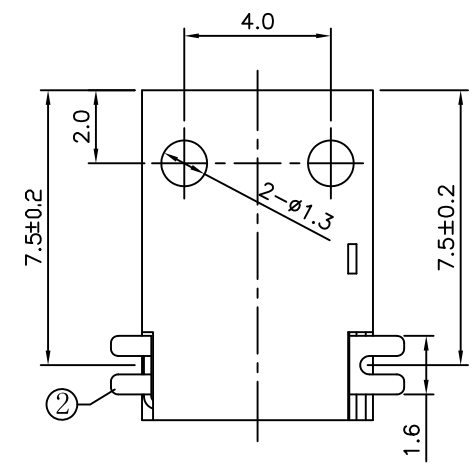
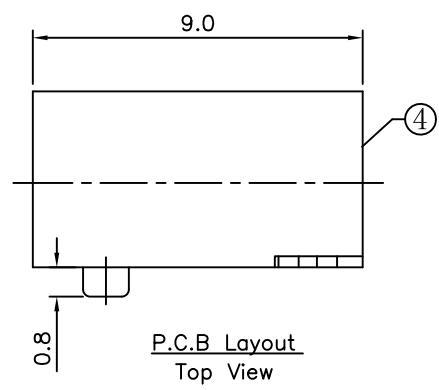
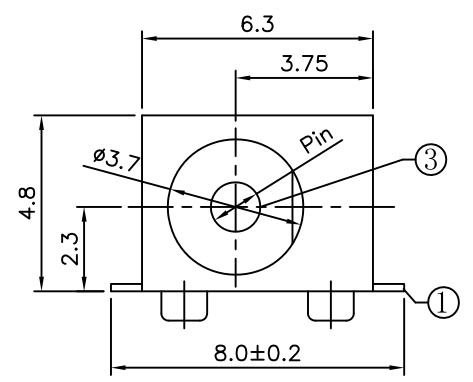


SPECIFICATIONS
 Rating:DC 30V,0.5A
 Contact Resistance:50Millohms Max.
 Insulation Resistance:1000Megohms
 DC250V Min.
 Withstand Voltage:500V AC
 Insertion And Extraction Force:3-15N
 Life Test:5,000 Cycles



P/N:	Pin
18776	Ø1.0
18777	Ø1.3

NO.	Description	Q'ty	Material	Plating
4	Housing	1	PA9T	
3	Pin	1	Brass	Ni-Plating
2	Curve Piece	1	Brass	Ag-Plating
1	Spring	1	Stainless Steel	Ag-Plating

4UCON 元化興業股份有限公司
 4UCON TECHNOLOGY INC.

DRAWING No.		APPROVED BY		UNLESS OTHERWISE SPECIFIED TOLERANCES ARE .X ±0.30 .XX ANG. ±2'
18776		MEI		
		CHECKED BY		
		HZF		
		DRAWING BY		
		PEGA		
SCALE	NONE	REV.	A0	UNIT mm

NO.	REV.	DESCRIPTION	CHK	DATE
△ A0		NEW RELEASE	HZF	05/29/2007