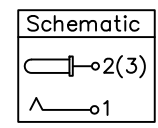
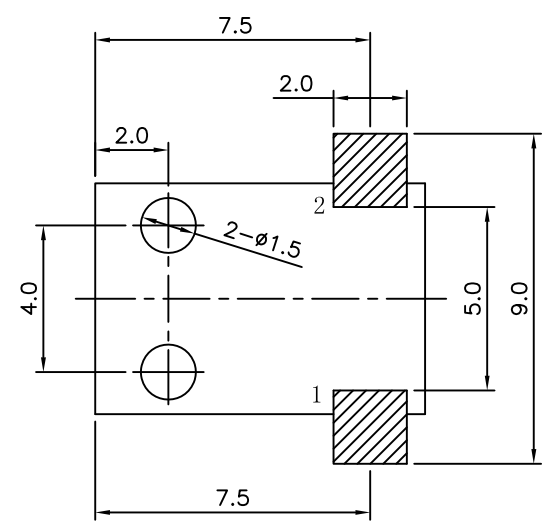
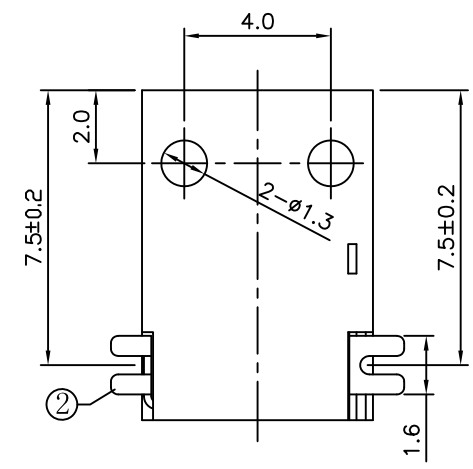
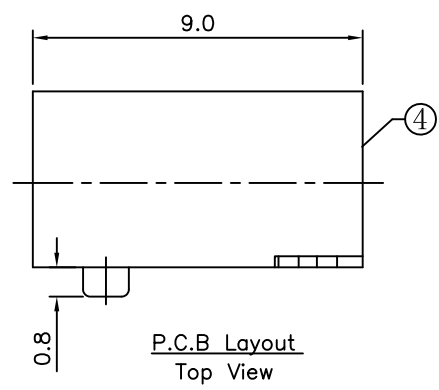
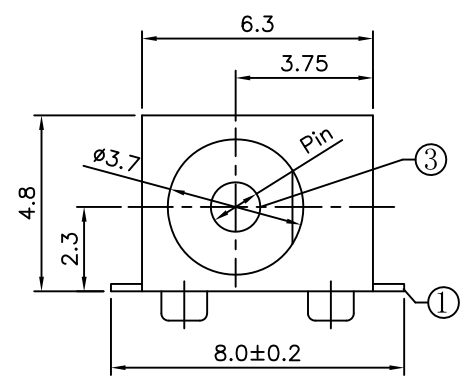


**SPECIFICATIONS**  
 Rating:DC 30V,0.5A  
 Contact Resistance:50Millohms Max.  
 Insulation Resistance:1000Megohms  
 DC250V Min.  
 Withstand Voltage:500V AC  
 Insertion And Extraction Force:3-15N  
 Life Test:5,000 Cycles



P/N:	Pin
18776	φ1.0
18777	φ1.3

4	Housing	1	PA9T	
3	Pin	1	Brass	Ni-Plating
2	Curve Piece	1	Brass	Ag-Plating
1	Spring	1	Stainless Steel	Ag-Plating
NO.	Description	Q'ty	Material	Plating

**4UCON** 元化興業股份有限公司  
 4UCON TECHNOLOGY INC.

DRAWING No.		APPROVED BY		UNLESS OTHERWISE SPECIFIED TOLERANCES ARE .X ±0.30 .XX ANG. ±2'
18777		MEI		
		CHECKED BY		
		HZF		
		DRAWING BY		UNIT mm
		PEGA		
SCALE	NONE	REV.	A0	NO. REV.

△ A0	NEW RELEASE	HZF	05/29/2007
NO. REV.	REVISIONS	CHK	DATE