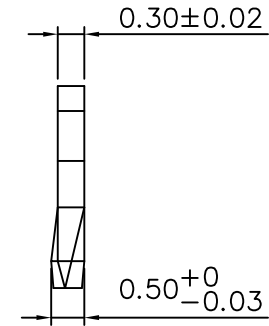
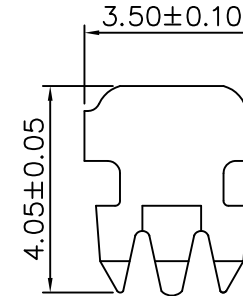
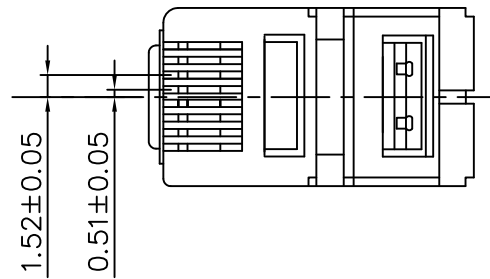
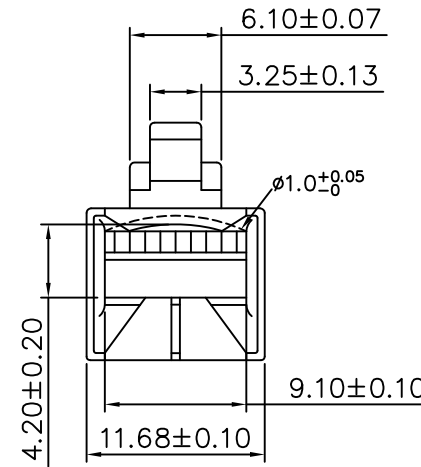
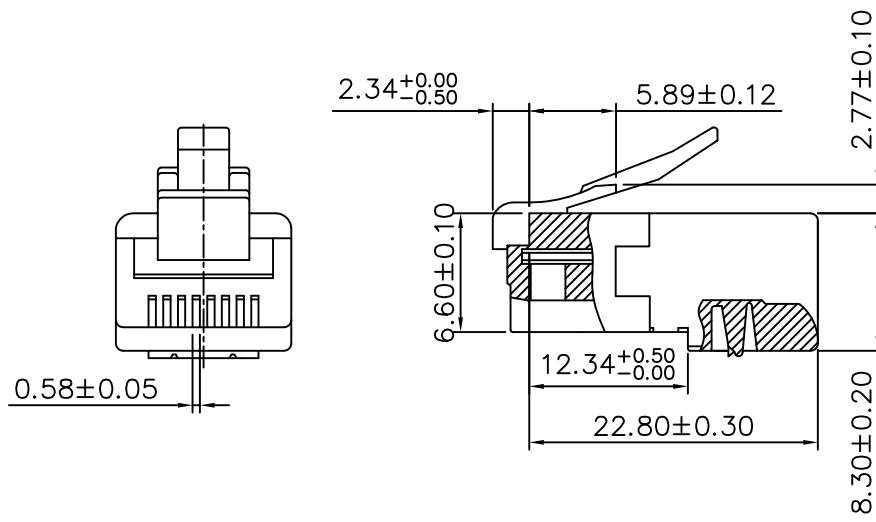


**4UCON**

元化興業股份有限公司  
4UCON TECHNOLOGY INC.

18792

**SPECIFICATIONS**  
Housing Material:UL 94V-2



3 Prongs For Solid Wire

DRAWING No.		APPROVED BY MEI		UNLESS OTHERWISE SPECIFIED TOLERANCES ARE .X ±0.38 .XX ±0.25 .XXX						
		CHECKED BY SHIN								
		DRAWING BY INGRID								
SCALE	NONE	REV.	A0	UNIT mm			A0	NEW RELEASE	SHIN	06/07/2007
						NO. REV.		REVISIONS	CHK	DATE