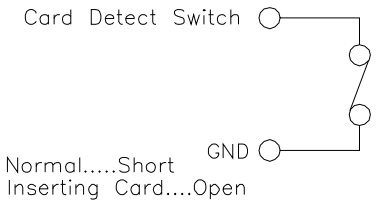
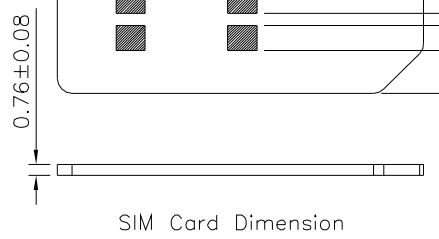
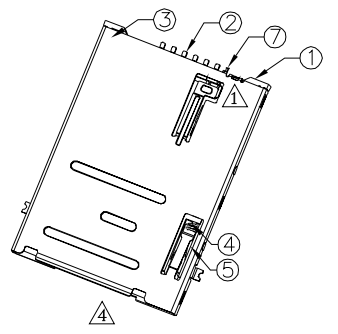
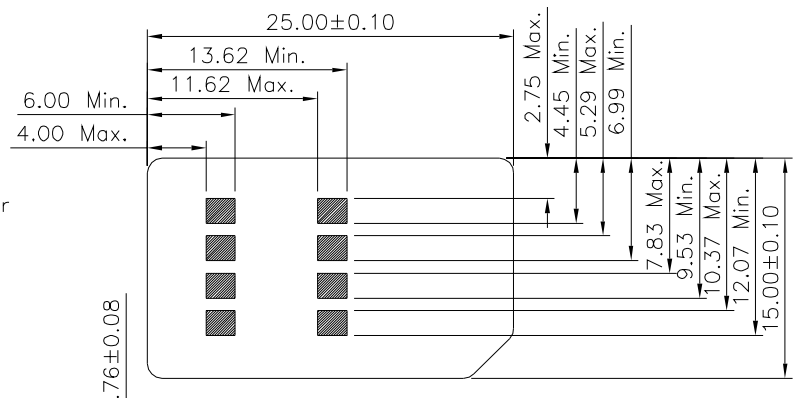
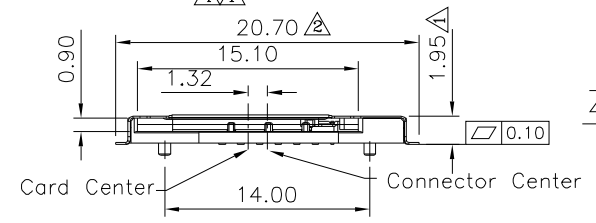


**△ SPECIFICATION**

- 1. Material & Finish**
  - ① Insulator: LCP(UL94V-0), Black
  - ② Terminal: Phosphor Bronze, Gold Flash On Contact Area, Tin Plated On Solder Tails, Over Nickel
  - ③ Shell: Stainless Steel, Gold Plated On Solder Tails, Over Nickel
  - ④ Spring: SWP
  - ⑤ Hook: Stainless Steel
  - ⑥ Slider: High Temp. Plastic
  - ⑦ CD Terminal: Brass, Gold Flash On Contact Area, Tin Plated On Solder Tails, Over Nickel
  - ⑧ Dummy Card: High Temp. Plastic
- 2. Electrical Characteristics**
  - Current Rating: 0.5 Amp Max.
  - Withstand Voltage: 500V AC At 1mA Max. For 1 Minute
  - Contact Resistance: 100 Milliohms Max.
  - Insulation Resistance: 100 Megaohms Min. At DC 500V
- 3. Mechanical Characteristics**
  - Mating Cycles: 5000 Cycles (Speed: 400~600 Cycles/h)
- 4. Environmental Characteristics**
  - Operation Temperature: -20°C ~ +70°C
  - Storage Temperature: -40°C ~ +85°C
- 5. RoHS Compliant**



Pin No.	Description
Pin 1	VCC:PWR Signal And GND
Pin 2	RST:Reset Signal
Pin 3	CLK:Clocking Signal
Pin 4	GND:PWR Signal And GND
Pin 5	VPP:Programming Voltage
Pin 6	I/O:Serial Date Input/Output

**4UCON** 元化興業股份有限公司  
4UCON TECHNOLOGY INC.

DRAWING No.		APPROVED BY		UNLESS OTHERWISE SPECIFIED TOLERANCES ARE X, ±0.30 XX ±0.20 XXX ±0.15 ANG. ±2°	△ A4	Modify Data	HZF	12/31/2019
18793		MEI			△ A3	Modify Data	HZF	12/27/2017
		CHECKED BY HZF			△ A2	Modify Dim.	HZF	11/10/2017
		DRAWING BY CYP		△ A1	Modify Data	HZF	09/26/2017	
		UNIT mm		△ A0	NEW RELEASE	HZF	10/13/2016	
SCALE	NONE	REV.	A4	NO. REV.	REVISIONS	CHK	DATE	