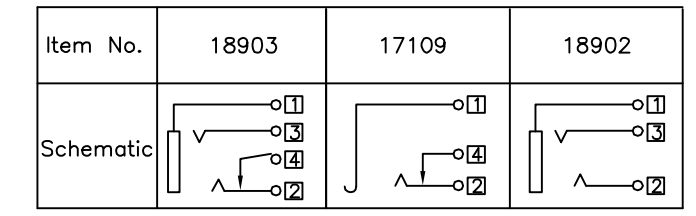


**△△ SPECIFICATION**  
 Rating: DC 30V 0.5A  
 Contact Resistance: 30 Milliohms Max.  
 After Test: 50 Milliohms Max.  
 △ Insulation Resistance: 100 Megaohms Min. (DC 500V)  
 After Test: 50 Megaohms Min.  
 Withstand Voltage: 500V AC  
 Insertion And Extraction Force: 3~30N  
 Life Test: 5000 Cycles Min.  
 Operation Temperature Range:  $-20^\circ\text{C} \sim +70^\circ\text{C}$   
 Preservative Temperature Range:  $-40^\circ\text{C} \sim +85^\circ\text{C}$   
 RoHS Compliant

△△△ Circuit Diagram

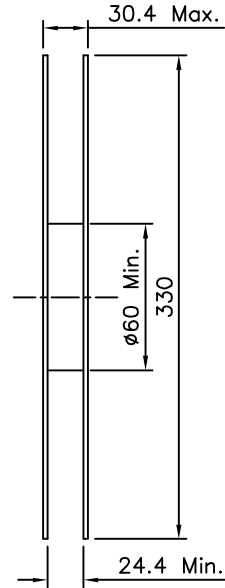
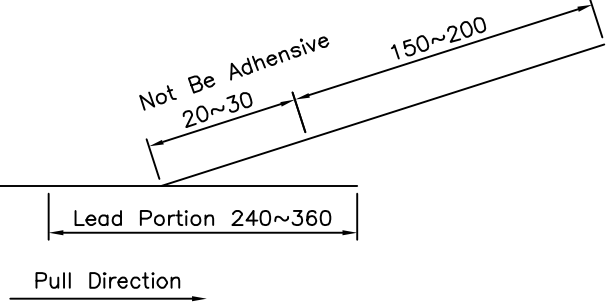
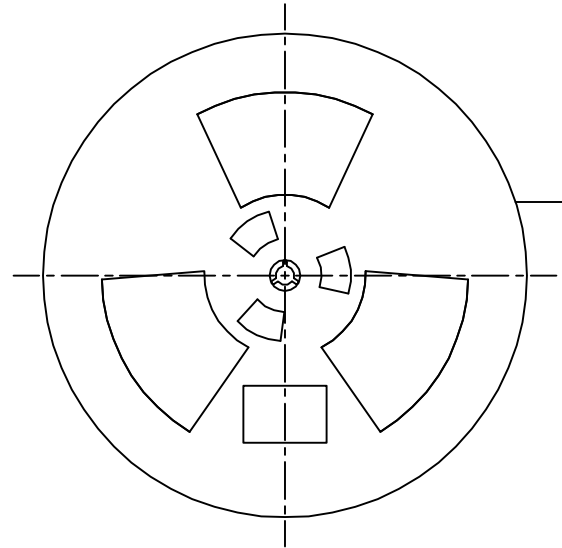
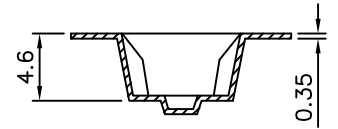
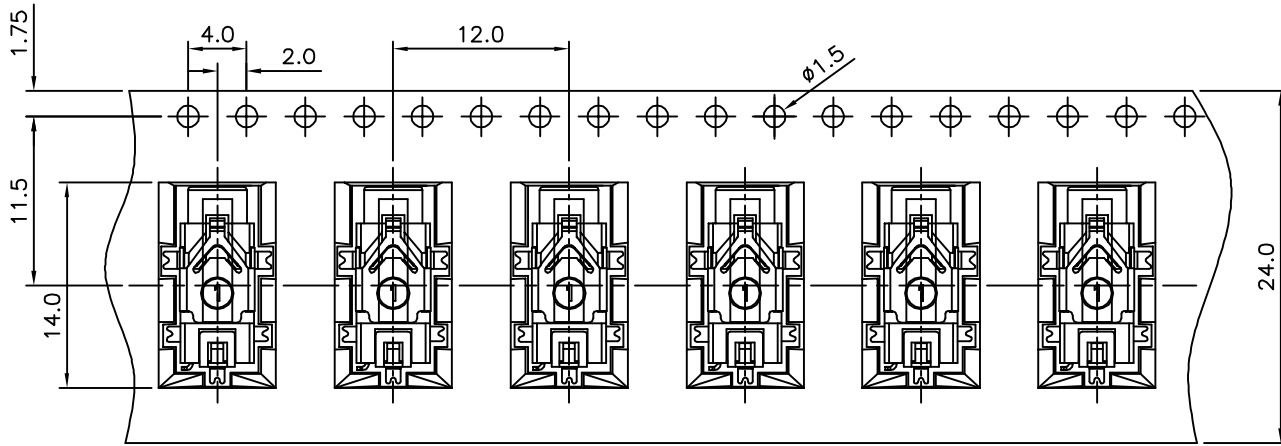


□: Terminal No. O: Item No.

⑤	④	③	②	①
Shunt Terminal	1	Copper Alloy	Gold Plated	
Ring Spring	1	Copper Alloy	Gold Plated	
Tip Spring	1	Copper Alloy	Gold Plated	
Earth Spring	1	Copper Alloy	Gold Plated	
Housing	1	PA9T	Black	
No.	Description	Q'ty	Material	Material

DRAWING No.		APPROVED BY		UNLESS OTHERWISE SPECIFIED TOLERANCES ARE $\triangle .x \pm 0.50 \quad x' \pm 3.0'$ $\triangle .xx \pm 0.30 \quad .x' \pm 1.5'$ $\triangle .xxx \pm 0.15 \quad .xx' \pm 1.0'$				
18903		MEI			△ A3	Modify Data	HZF	10/13/2011
		HZF			△ A2	Modify Data	HZF	12/20/2010
		WSS		△ A1	Modify Data	HZF	07/25/2009	
SCALE		REV.		△ A0	NEW RELEASE	BECKY	06/14/2005	
NONE		A3		NO. REV.	REVISIONS	CHK	DATE	

**4UCON** 元化興業股份有限公司  
 4UCON TECHNOLOGY INC.



**SPECIFICATION**

- 1.0 The Connector Can Not Be Loaded On The Position Of Length 240~360mm In The Reel Tape And Lead Tape. The Cover Tape With 20~30mm Length Shall Not Be Adhesive On The Lead Tape And The Cover Tape Its Lead Portion Shall Have 150~200mm Length
  - 2.0 Tape Shall Turn On Right Direction
  - 3.0 The Direction Of Connector Is Fixed Regarding The Position Of Terminal, Please Refer Outline Drawing
  - 4.0 After Winding, Using The Adhesive Tape (30~50mm) To Stick The Leader Of Cover Tape On The Side Of Reel
  - 5.0 One Reel Can Be Loaded 1000 PCS Connector
  - 6.0 The Label Shall Be Pasted On The Front Side Of Reel
  - 7.0 Condition Of 300mm Per Minute, The Extraction Strength Of Cover Tape Shall Reach 20~150 gf
- RoHS Compliant

**4UCON** 元化興業股份有限公司  
4UCON TECHNOLOGY INC.

DRAWING No.		APPROVED BY		UNLESS OTHERWISE SPECIFIED TOLERANCES ARE .X $\pm 0.38$ .XX $\pm 0.25$ ANG.
18903		MEI		
		CHECKED BY	HZF	
		DRAWING BY	WSS	
SCALE	NONE	REV.	A3	UNIT mm

NO. REV.	REVISIONS	CHK	DATE
A3	Modify Data	HZF	10/13/2011
A2	Modify Data	HZF	12/20/2010
A1	Modify Data	HZF	07/25/2009
A0	NEW RELEASE	BECKY	06/14/2005