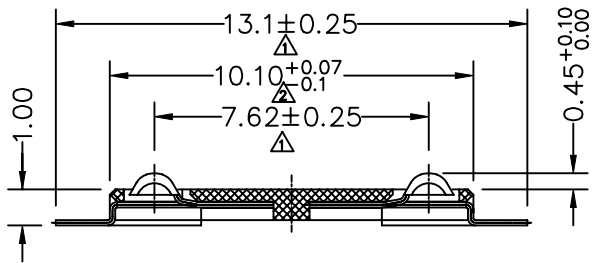
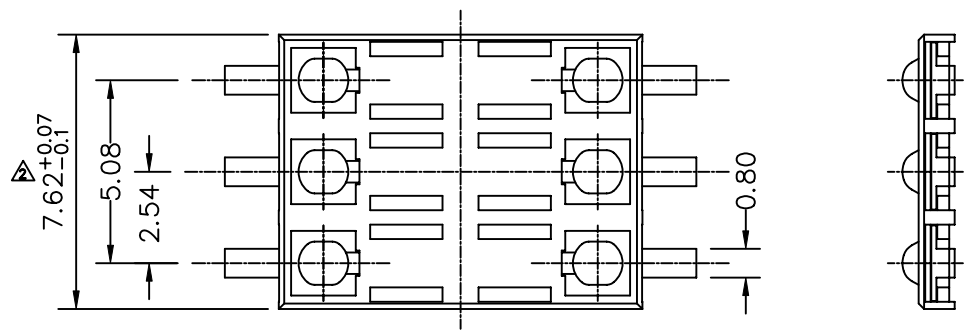


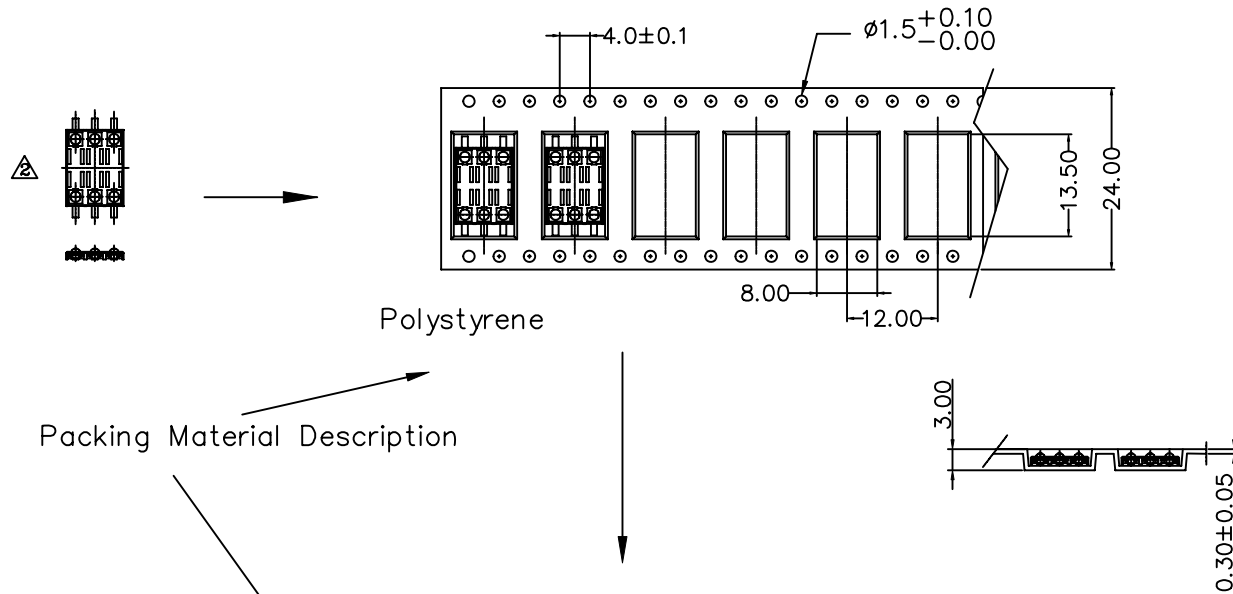
- Specifications:
- General Information
 - Contact Principle : Friction Technology
 - Mounting Type : SMT
 - Data Contact Material : Copper Alloy
 - Insulator Material : Thermoplastic UL94V-0
 - Data Contacts Plating : Gold Plated Over Nickel
 - Electrical Specification
 - Contact Resistance : 50m Ohms Max.
 - Insulator Resistance : 1000M Ohms Min.
 - Dielectric Withstanding Voltage : 500V AC
 - Voltage Rating : 30V AC R.M.S. 1 Min.(Sea Level)
 - Current Rating : 1A Max. 10uA Min.
 - Mechanical Specification
 - Contact Force : 0.2N~0.6N
 - Durability : 10,000 Cycles Min.
 - Environmental Specification
 - Operating Temperature : -20°C~+70°C
 - Operating Humidity : 20%~95% RH
 - Solderability : Manual Soldering : 360°C 3 Sec. Max.
 - Vapor Phase : 215°C 30 Sec. Max.
 - IR Re-flow : 260°C 15 Sec. Max.
- .RoHS Compliant



4UCON 元化興業股份有限公司
4UCON TECHNOLOGY INC.

DRAWING No.		APPROVED BY		UNLESS OTHERWISE SPECIFIED TOLERANCES ARE	
18920		MEI		.X ±0.25	
		CHECKED BY		.XX ±0.10	
		CATHY		ANG. ±1°	
		DRAWING BY		UNIT	
		QXQ		mm	
SCALE	NONE	REV.	A2		

NO.	REV.	REVISIONS	CHK	DATE
2	A2	ADD REEL PACKING & TOLERANCE	QXQ	10/26/2010
1	A1	MODIFIED TOLERANCE	KENVIN	04/02/2008
0	A0	NEW RELEASE	XSH	01/05/2006

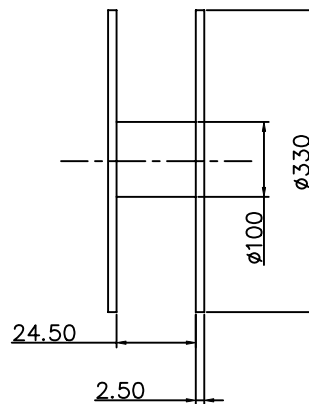
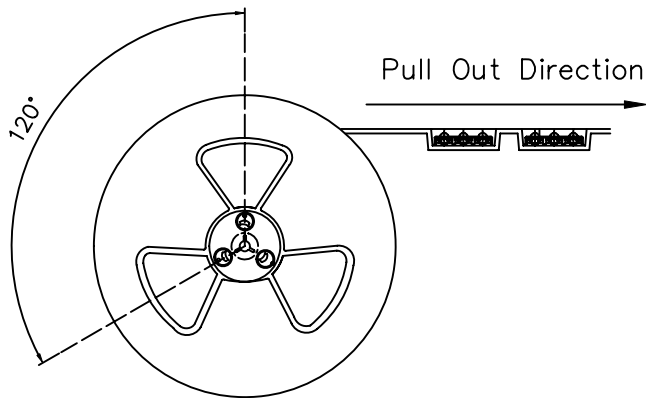


Specifications:
 Reel Size : 330*24.5 mm
 QTY : 2000Pcs/Reel
 RoHS Compliant

Polystyrene

Packing Material Description

Polystyrene



4UCON 元化興業股份有限公司
 4UCON TECHNOLOGY INC.

DRAWING No.
 18920

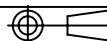
APPROVED BY
 MEI
 CHECKED BY
 CATHY
 DRAWING BY
 QXQ

UNLESS OTHERWISE SPECIFIED TOLERANCES ARE
 .X ±0.25
 .XX ±0.10
 ANG.

SCALE NONE

REV. A2

UNIT mm



NO.	REV.	REVISIONS	CHK	DATE
△	A2	ADD REEL PACKING & TOLERANCE	QXQ	10/25/2010
△	A1	MODIFIED TOLERANCE	KENVIN	04/02/2008
△	A0	NEW RELEASE	XSH	01/05/2006