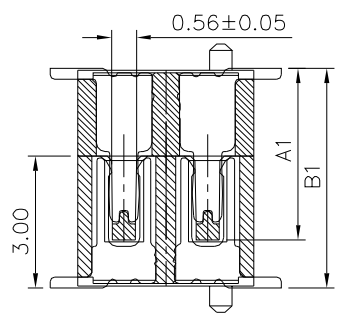
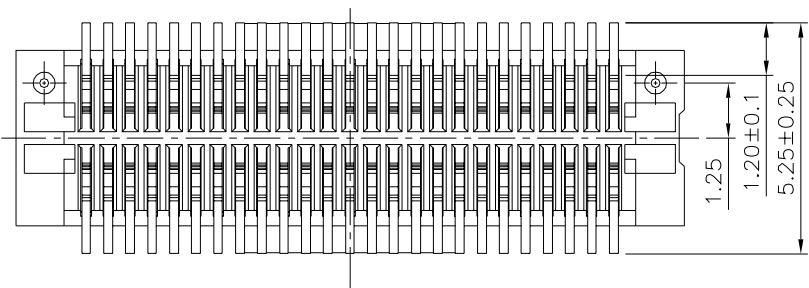


Recommended P.C.B. Layout



Mating Draw (Ref.)

SPECIFICATION

- 1. General Characteristics:
0.5mm Board To Board Double Slot Type Male XXP
SMT 180° With Post Stacking Height=5.0/5.5mm
With Cap
- 2. Material&Finish:
△ Housing:LCP(UL94V-0),White
Contact:Phosphor Bronze,Gold Plated Over Nickel
- 3. Electrical Characteristics:
Current Rating:0.5A AC/DC
Voltage Rating:50V AC/DC
Contact Resistance:30 Milliohms Max.
Insulation Resistance:100 Megaohms Min. At 100V DC
Withstanding Voltage:100V AC For One Minute
- 4. Environmental Characteristics:
Operation Temperature Range:-20°C~+105°C
- 5. RoHS Compliant

| Part No.(Socket) | Part No.(Plug) | Dim. A1 | Dim. B1 |
|------------------|----------------|---------|---------|
| 1658 | 1659 | 3.90 | 5.0 |
| 1660 | 1659 | 4.40 | 5.5 |

| Pin | X |
|----------|------|
| 10P~48P | 5.00 |
| 50P~120P | 12.0 |

| Pin. | A | B | C | D |
|------|-------|-------|-------|-------|
| 10 | 5.20 | 2.00 | 2.96 | 3.90 |
| 20 | 7.70 | 4.50 | 5.46 | 6.40 |
| 30 | 10.20 | 7.00 | 7.96 | 8.90 |
| 40 | 12.70 | 9.50 | 10.46 | 11.40 |
| 50 | 15.20 | 12.00 | 12.96 | 13.90 |
| 60 | 17.70 | 14.50 | 15.46 | 16.40 |
| 70 | 20.20 | 17.00 | 17.96 | 18.90 |
| 80 | 22.70 | 19.50 | 20.46 | 21.40 |
| 90 | 25.20 | 22.00 | 22.96 | 23.90 |
| 100 | 27.70 | 24.50 | 25.46 | 26.40 |
| 120 | 32.70 | 29.50 | 30.46 | 31.40 |

4UCON 元化興業股份有限公司
4UCON TECHNOLOGY INC.

| | | | | | | | | |
|-------------|--|-------------|--|---|----------|-------------|-----|------------|
| DRAWING No. | | APPROVED BY | | UNLESS OTHERWISE SPECIFIED TOLERANCES ARE .X ±0.2 .XX ±0.15 ANG. | NO. REV. | REVISIONS | CHK | DATE |
| 18999 | | MEI | | | | | | |
| SCALE NONE | | HZF | | | | | | |
| REV. | | DRAWING BY | | UNIT mm | △ B1 | Modify Data | HZF | 10/15/2018 |
| B1 | | CYP | | | | | | |
| REV. | | DRAWING BY | | UNIT mm | △ B0 | NEW RELEASE | HZF | 02/18/2014 |
| B1 | | CYP | | | | | | |