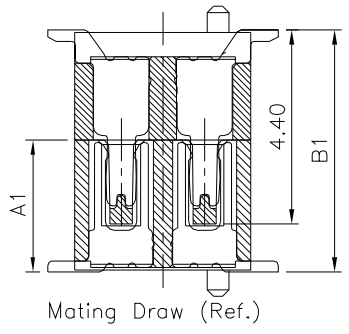
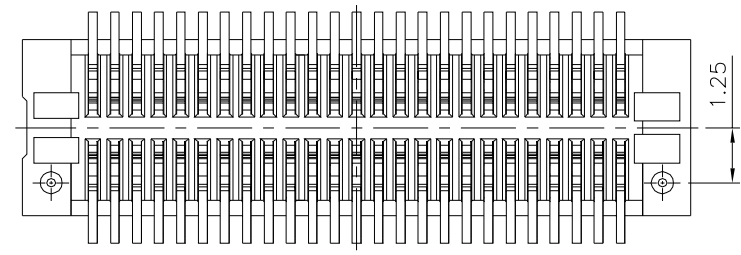
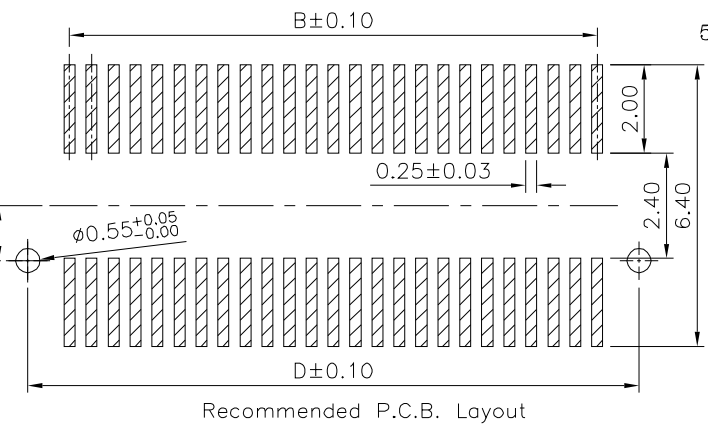
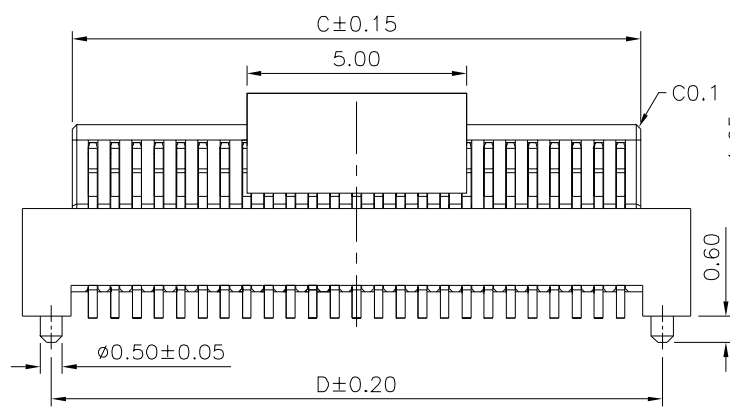


SPECIFICATION

- 1. General Characteristics:
0.5mm Board To Board Double Slot Type Female XXP
SMT 180° With Post Stacking Height=5.5/6.0mm
With Cap
- 2. Material & Finish:
Housing: LCP(UL94V-0), White
Contact: Phosphor Bronze, Gold Plated Over Nickel
- 3. Electrical Characteristics:
Current Rating: 0.5A AC/DC
Voltage Rating: 50V AC/DC
Contact Resistance: 30 Milliohms Max.
Insulation Resistance: 100 Megaohms Min. At 100V DC
Withstanding Voltage: 100V AC For One Minute
- 4. Environmental Characteristics:
Operation Temperature Range: -20°C ~ +105°C
- 5. RoHS Compliant



| Pin | A | B | C | D |
|-----|-------|-------|-------|-------|
| 10 | 5.20 | 2.00 | 2.92 | 3.90 |
| 14 | 6.20 | 3.00 | 3.92 | 4.90 |
| 20 | 7.70 | 4.50 | 5.42 | 6.40 |
| 30 | 10.20 | 7.00 | 7.92 | 8.90 |
| 40 | 12.70 | 9.50 | 10.42 | 11.40 |
| 50 | 15.20 | 12.00 | 12.92 | 13.90 |
| 60 | 17.70 | 14.50 | 15.42 | 16.40 |
| 70 | 20.20 | 17.00 | 17.92 | 18.90 |
| 80 | 22.70 | 19.50 | 20.42 | 21.40 |
| 90 | 25.20 | 22.00 | 22.92 | 23.90 |
| 100 | 27.70 | 24.50 | 25.42 | 26.40 |
| 120 | 32.70 | 29.50 | 30.42 | 31.40 |

| Part No.(Socket) | Part No.(Plug) | Dim. A1 | Dim. B1 |
|------------------|----------------|---------|---------|
| 1660 | 1659 | 3.00 | 5.5 |
| 1660 | 1661 | 3.50 | 6.0 |

4UCON 元化興業股份有限公司
4UCON TECHNOLOGY INC.

DRAWING No. 19005

APPROVED BY MEI
CHECKED BY HZF
DRAWING BY CYP

UNLESS OTHERWISE SPECIFIED TOLERANCES ARE
.X ±0.2
.XX ±0.15
ANG.

SCALE NONE REV. BO

UNIT mm

| | | | |
|----------|-------------|-----|------------|
| △ BO | NEW RELEASE | HZF | 10/08/2024 |
| NO. REV. | REVISIONS | CHK | DATE |