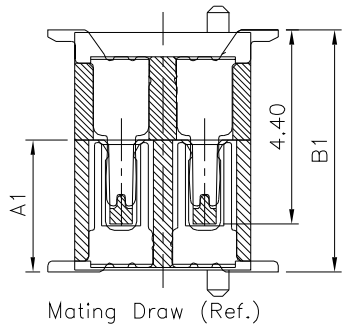
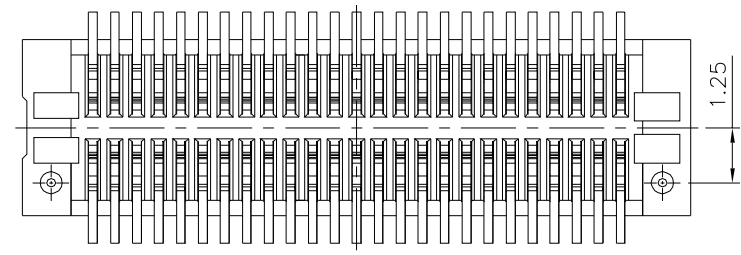
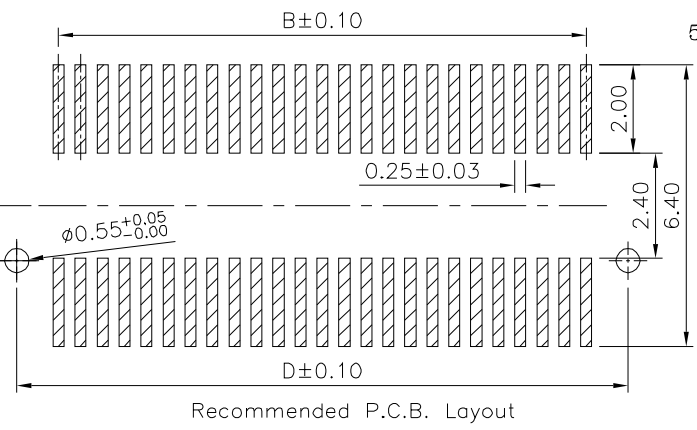
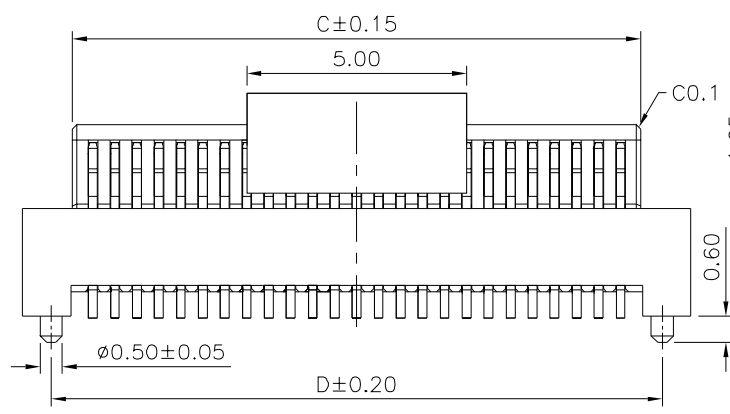


**SPECIFICATION**

- 1. General Characteristics:  
0.5mm Board To Board Double Slot Type Female XXP  
SMT 180° With Post Stacking Height=5.5/6.0mm  
With Cap
- 2. Material & Finish:  
Housing: LCP(UL94V-0), White  
Contact: Phosphor Bronze, Gold Plated Over Nickel
- 3. Electrical Characteristics:  
Current Rating: 0.5A AC/DC  
Voltage Rating: 50V AC/DC  
Contact Resistance: 30 Milliohms Max.  
Insulation Resistance: 100 Megaohms Min. At 100V DC  
Withstanding Voltage: 100V AC For One Minute
- 4. Environmental Characteristics:  
Operation Temperature Range: -20°C ~ +105°C
- 5. RoHS Compliant



Pin	A	B	C	D
10	5.20	2.00	2.92	3.90
14	6.20	3.00	3.92	4.90
20	7.70	4.50	5.42	6.40
30	10.20	7.00	7.92	8.90
40	12.70	9.50	10.42	11.40
50	15.20	12.00	12.92	13.90
60	17.70	14.50	15.42	16.40
70	20.20	17.00	17.92	18.90
80	22.70	19.50	20.42	21.40
90	25.20	22.00	22.92	23.90
100	27.70	24.50	25.42	26.40
120	32.70	29.50	30.42	31.40

Part No.(Socket)	Part No.(Plug)	Dim. A1	Dim. B1
1660	1659	3.00	5.5
1660	1661	3.50	6.0

**4UCON** 元化興業股份有限公司  
4UCON TECHNOLOGY INC.

DRAWING No. 19010

APPROVED BY MEI  
CHECKED BY HZF  
DRAWING BY CYP

UNLESS OTHERWISE SPECIFIED TOLERANCES ARE  
.X ±0.2  
.XX ±0.15  
ANG.

SCALE NONE

REV. BO

UNIT mm

△ BO	NEW RELEASE	HZF	10/08/2024
NO. REV.	REVISIONS	CHK	DATE